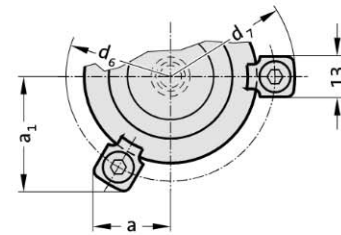
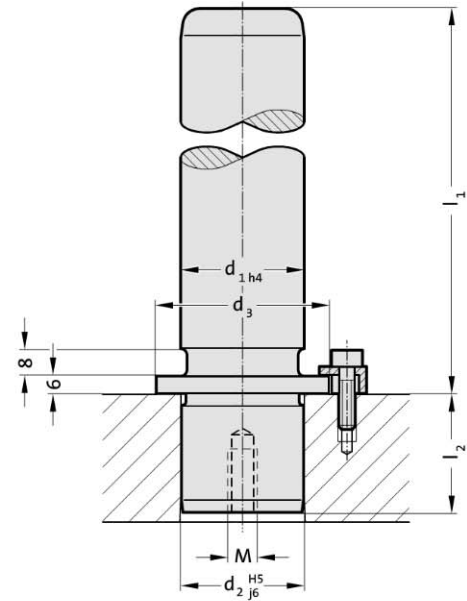




2021.29.



Material:

Steel, surface hardened
Surface hardness: 60 + 4 HRC, Hardness penetration 1,5 + 1 mm

Execution:

ground
Method of manufacturing entails that centre holes are not concentric with O.D.

Note:

Guide pillars only recommended for use with sliding guides!
The attachment is with 3 Screw clamp, from $\varnothing d_1 = 38$ with 4 Screw clamp, which are included in delivery (Order No: 207.45 - Screw clamp incl. socket cap screw DIN 6912, Head $\varnothing 13$).
Matching guide combinations, see selection matrix at the beginning of chapter D.
Assembly guide lines / Dimensional requirements and tolerances at the end of chapter D.

2021.29. Guide pillar with collar "ECO-LINE"

d_1	15 16	19 20	24 25	30 32	38 40	48 50	60 63	80
d_2	15 16	19 20	24 25	30 32	38 40	48 50	60 63	80
d_3	22	25	32	40	50	63	80	95
d_6	33	36	43	51	61	74	91	106
d_7	45.7	48.7	55.7	63.7	73.7	86.7	103.7	118.7
a	15.9	16.6	18.4	20.4	29.2	33.8	39.8	46.2
a_1	21.7	23	26	29.5	29.2	33.8	39.8	46.2
M	M8	M8	M8	M8	M8	M8	M8	M12
l_2	20	23	30	37	37	47	47	60
l_1								
100	●	●	●					
112	●	●	●	●				
125	●	●	●	●	●			
140	●	●	●	●	●	●		
160	●	●	●	●	●	●	●	
180	●	●	●	●	●	●	●	●
200	●	●	●	●	●	●	●	●
224			●	●	●	●	●	●
250			●	●	●	●	●	●
280				●	●	●	●	●
315				●	●	●	●	●
355					●	●	●	●
400						●	●	●

Ordering Code (example):

Guide pillar with collar "ECO-LINE" = 2021.29.
 Guide diameter d_1 32 mm = 032.
 Length l_1 112 = 112
 Order No = 2021.29.032.112