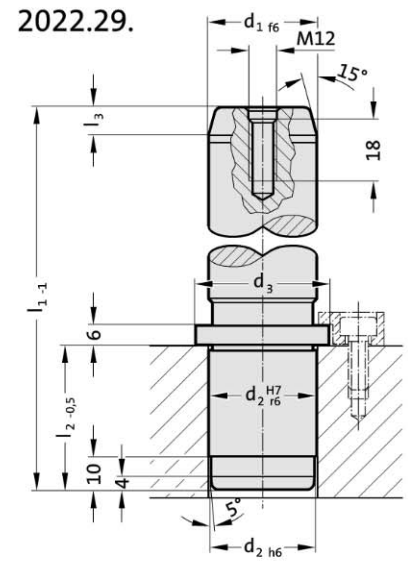
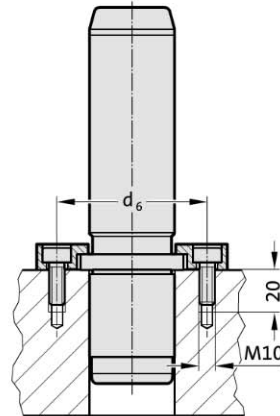




Mounting example



Material:

Steel, surface hardened
Surface hardness: 60 + 4 HRC, Hardness penetration 1,5 + 1 mm

Execution:

precision ground
Method of manufacturing entails that centre holes are not concentric with O.D.

Note:

The guide pillar is only recommended for use with solid lubricants.
Matching guide combinations, see selection matrix at the beginning of chapter D.
Assembly guide lines / Dimensional requirements and tolerances at the end of chapter D.

Fixing:

(to be ordered separately)
Screw clamps with screws 2072.46 (M10 x 20 DIN EN ISO 4762)
up to $\varnothing d_1 = 50$ - 2 screw clamps
from $\varnothing d_1 = 63$ - 3 screw clamps

2022.29. Guide pillar with collar, to WDX

| | 25 | 32 | 40 | 50 | 63 | 80 | 100 |
|-------|----|----|----|----|-----|-----|-----|
| d_1 | 25 | 32 | 40 | 50 | 63 | 80 | 100 |
| d_2 | 25 | 32 | 40 | 50 | 63 | 80 | 100 |
| d_3 | 32 | 40 | 50 | 60 | 80 | 90 | 110 |
| d_6 | 68 | 75 | 83 | 93 | 106 | 123 | 143 |
| l_2 | 40 | 42 | 56 | 70 | 80 | 100 | 125 |
| l_3 | 6 | 8 | 8 | 10 | 10 | 10 | 10 |
| l_1 | | | | | | | |
| 125 | ● | | | | | | |
| 140 | ● | ● | | | | | |
| 160 | ● | ● | ● | ● | | | |
| 180 | ● | ● | ● | ● | ● | | |
| 200 | ● | ● | ● | ● | ● | ● | |
| 224 | ● | ● | ● | ● | ● | ● | ● |
| 250 | | ● | ● | ● | ● | ● | ● |
| 280 | | | ● | ● | ● | ● | ● |
| 315 | | | | ● | ● | ● | ● |
| 355 | | | | | ● | ● | ● |
| 400 | | | | | ● | ● | ● |
| 500 | | | | | | ● | ● |

Ordering Code (example):

Guide pillar with collar, to WDX =2022.29.
Guide diameter d_1 50 mm = 050.
Length l_1 160 mm = 160
Order No =2022.29.050.160