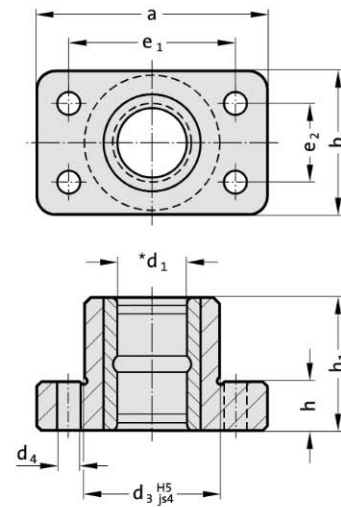
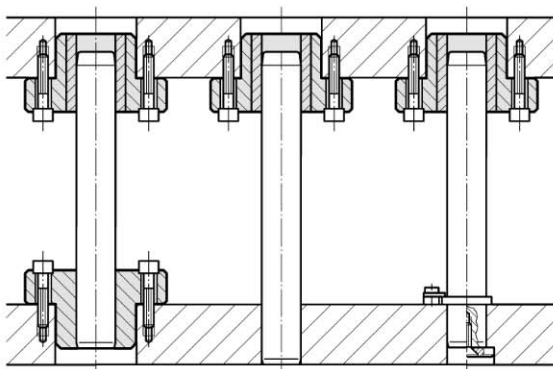


2031.38.



Mounting example



Material:

Basic body: Special cast iron

Guide bush 2051.32.: Sintered ferrite of high purity, carbonitrided, long-term lubrication

Execution:

Both faces machined to dims. h; O. D. d_3 turned.

Bores honed.

Note:

Notes on sliding type guides at the beginning of chapter D.

Bearing clearance see pairing classification at the beginning of chapter D.

Matching guide combinations, see selection matrix at the beginning of chapter D.

Tolerance range:

yellow = .10

green = .20

red = .30

2031.38. Guide bearing, low build height, sintered guide

d_1	15 16	19 20	24 25	30 32	38 40	48 50	60 63	80
d_3	32	42	47	62	77	93	107	127
d_4	7	9	9	11	14	18	18	22
a	70	85	90	115	130	160	180	215
b	35	45	50	65	80	96	110	130
e_1	53	64	68	83	95	118	132	160
e_2	19	24	28	34	45	55	62	75
h	16	16	20	23	28	33	33	38
h_1	30	37	47	60	77	95	120	120

Ordering Code (example):

Guide bearing, low build height, sintered guide

=2031.38.

Guide diameter d_1

32 mm = 032.

Classification TOL

yellow = 10

Order No

=2031.38.032.10