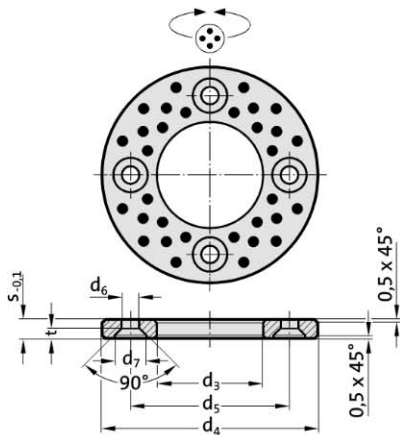




# Thrust washer, Bronze with solid lubricant

2053.70.



### Material:

Bronze with solid lubricant, oilless lubricating

### Note:

For combination loads use together with Bushes 2052.70. Screws not included.

### Fixing:

- from  $d_3 = 10,2$  2 X M3
- from  $d_3 = 20,2$  2 X M5
- from  $d_3 = 40,2$  2 X M6
- from  $d_3 = 50,3$  4 X M6
- from  $d_3 = 60,3$  4 X M8
- from  $d_3 = 90,5$  4 X M10

## 2053.70. Thrust washer, Bronze with solid lubricant

$d_1$	10	12	13	14	15	16	18	20	25	30	35	40	45	50	55	60	65	70	75	80	90	100	120
$d_3$	10.2	12.2	13.2	14.2	15.2	16.2	18.2	20.2	25.2	30.2	35.2	40.2	45.3	50.3	55.3	60.3	65.3	70.3	75.3	80.3	90.5	100.5	120.5
$d_4$	30	40	40	40	50	50	50	50	55	60	70	80	90	100	110	120	125	130	140	150	170	190	200
$d_5$	20	28	28	28	28	28	35	35	40	45	50	60	67.5	75	85	90	95	100	110	120	140	160	175
$d_6$	3.4	3.4	3.4	3.4	3.4	3.4	3.4	5.5	5.5	5.5	5.5	6.6	6.6	6.6	6.6	9	9	9	9	9	11	11	11
$d_7$	6.9	6.9	6.9	6.9	6.9	6.9	6.9	11.5	11.5	11.5	11.5	13.7	13.7	13.7	13.7	18.3	18.3	18.3	18.3	18.3	22.7	22.7	22.7
$s$	3	3	3	3	3	3	3	5	5	5	5	7	7	8	8	8	8	10	10	10	10	10	10
$t$	1.8	1.8	1.8	1.8	1.8	1.8	1.8	3	3	3	3	3.6	3.6	3.6	3.6	4.6	4.6	4.6	4.6	4.6	5.9	5.9	5.9

### Ordering Code (example):

Thrust washer, Bronze with solid lubricant	=	2053.70.
Guide diameter $d_1$	40 mm =	040
Order No	=	2053.70.040