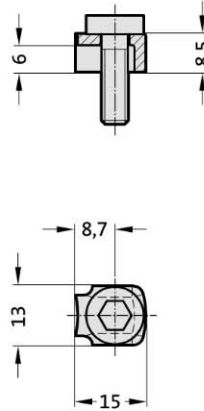


## Screw clamp with screw



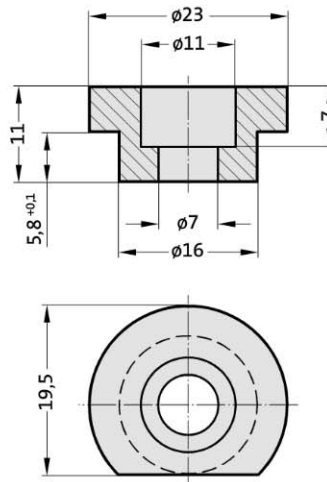
207.45



**Screw clamp**  
 incl. screw  
 - steel punched bent component  
 - clamping height 6-6,3 mm  
 - M6 screw



2071.45

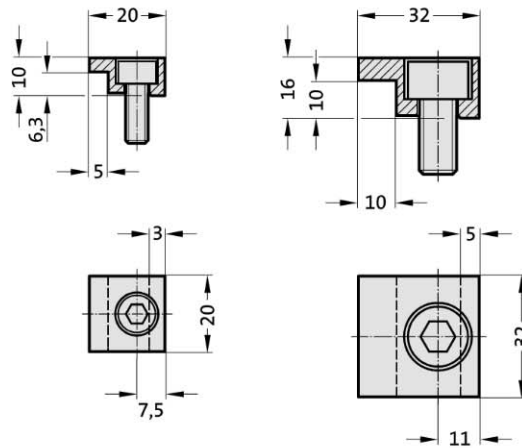


**Screw clamp**  
 incl. screw  
 - clamping height 6 mm  
 - M6 screw



2072.45.10.

2072.45.16.



**Screw clamp**  
 incl. screw  
**2072.45.10**  
 - Steel, milled  
 - clamping height 6-6,3 mm  
 - M6 screw  
**2072.45.16**  
 - Steel, milled  
 - clamping height 10 mm  
 - M10 screw

