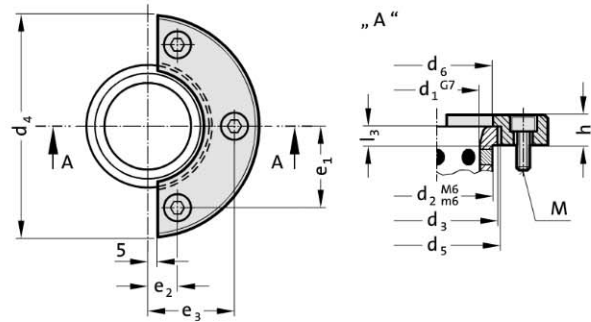


Securing flange with screws, CNOMO Screw clamp with screw, CNOMO



2073.45.



Securing flange

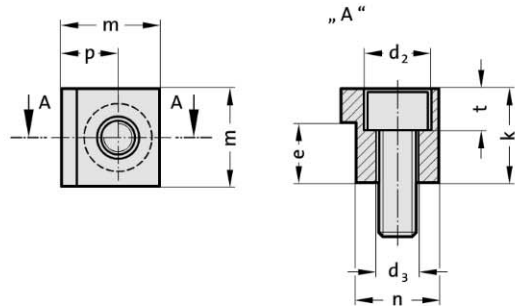
- according to CNOMO, incl. screws
- steel, turned
- clamping height 4, 5, 6, 8, 10, 12, 16, 20 mm
- M6, M8, M10, M12 screws

2073.45. Securing flange with screws, CNOMO

Order No	d ₁	d ₂	d ₃	d ₄	d ₆	h	l ₃	e ₁	e ₂	e ₃	M
2073.45.020	20	28	32	63	25	10	4	16	18	-	6x16
2073.45.025	25	35	40	72	32	10	5	20	20	-	6x16
2073.45.032	32	44	50	80	40	12	6	25	21	-	6x16
2073.45.040	40	52	60	100	50	12	8	38.5	14	41	6x16
2073.45.050	50	63	71	125	63	16	10	46	17	49	8x20
2073.45.063	63	80	90	140	80	20	12	55	17	57.5	10x25
2073.45.080	80	100	112	180	100	25	16	70	20	72	12x30
2073.45.100	100	125	140	200	125	32	20	81	25	85	12x30



2072.48.45.



Screw clamp

- according to CNOMO, incl. screw
- Steel, milled
- clamping height 8, 10, 12, 16, 20 mm
- M6, M8, M10 screw

2072.48.45. Screw clamp with screw, CNOMO

Order No	k	e	d ₂	d ₃	t	m	p	n	d ₁	M
2072.48.45.12	12	8	11	6.6	6.8	18	9.5	15.5	40	6x16
2072.48.45.16	16	10	15	9	9	22	12	19	50	8x20
2072.48.45.20	20	12	18	11	11	26	15	21	63	10x25
2072.48.45.25	25	16	18	11	11	26	15	21	80	10x30
2072.48.45.32	32	20	18	11	11	26	15	21	100	10x35

