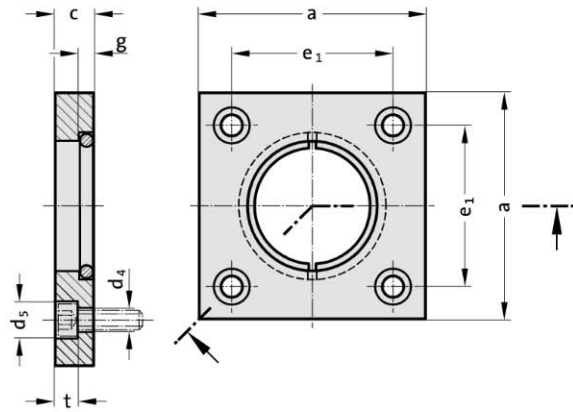




Clamping flange with retaining ring, ~AFNOR

2073.46.



2073.46. Clamping flange with retaining ring, ~AFNOR

Material:
 Clamping flange: Steel
 Retaining ring: Spring steel wire

Note:
 For fixing the guide pillar 2022.25.

Order No. for reordering retaining ring: 2073.46.□□□.2

Order No	d ₁	d ₂	d ₄	d ₅	a	c	g	e ₁	t
2073.46.025	25	22.3	6.6	11	45	10	2.7	31	7
2073.46.032	32	27.8	6.6	11	56	10	4.2	36	7
2073.46.040	40	35.8	6.6	11	70	12	4.2	50	7
2073.46.050	50	45.8	9	15	80	14	4.2	55	9
2073.46.063	63	56.8	11	18	100	18	6.2	70	11
2073.46.080	80	73.8	13.5	20	110	20	6.2	80	13
2073.46.100	100	93.8	13.5	20	140	20	6.2	100	13