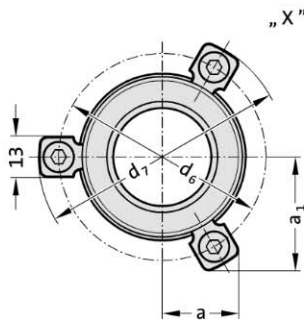
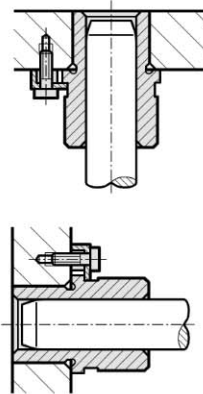
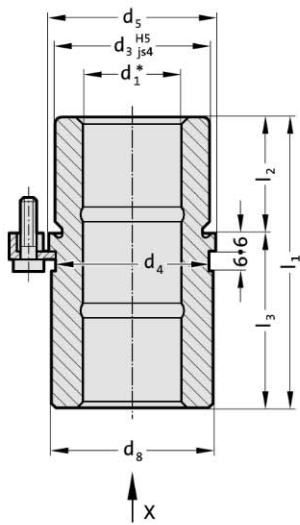


# Headed guide bush, sintered ferrite carbonitrided with long-term lubrication, ISO 9448-6

2081.32.

Mounting example



**Material:**

Sintered ferrite of high purity, carbonitrided, long-term lubrication

**Execution:**

Bearing surfaces, diameter  $d_3$  and collar face precision ground.

**Note:**

The attachment is with 3 Screw clamp, from  $\varnothing d_1 = 38$  with 4 Screw clamp, which are included in delivery (Order No: 207.45 - Screw clamp incl. socket cap screw DIN 6912, Head  $\varnothing 13$ ).

Notes on sliding type guides at the beginning of chapter D. Bearing clearance see pairing classification at the beginning of chapter D. Matching guide combinations, see selection matrix at the beginning of chapter D.

Assembly guide lines / Dimensional requirements and tolerances at the end of chapter D.

Tolerance range:

- yellow = .10
- green = .20
- red = .30



## 2081.32. Headed guide bush, sintered ferrite carbonitrided with long-term lubrication, ISO 9448-6

$d_1$	24 25	30 32	38 40	48 50
$d_3$	40	48	58	70
$d_4$	40	48	58	70
$d_5$	48	56	66	80
$d_6$	60	67	77	91
$d_7$	72.7	79.7	89.7	103.7
$d_8$	46	53	63	77
$a$	22.65	24.4	35.3	40.2
$a_1$	33.4	36.4	35.3	40.2
$l_1$	80	93	110	131
$l_2$	30	37	47	60
$l_3$	50	56	63	71

**Ordering Code (example):**

Headed guide bush, sintered ferrite carbonitrided with long-term lubrication, ISO 9448-6

=2081.32.

Guide diameter  $d_1$

38 mm = 038.

Classification TOL

yellow = 10

Order No

=2081.32. 038.10