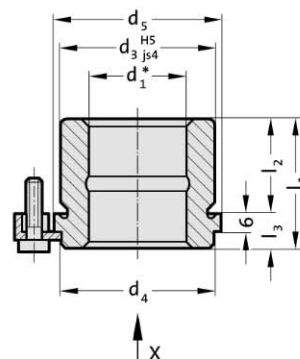
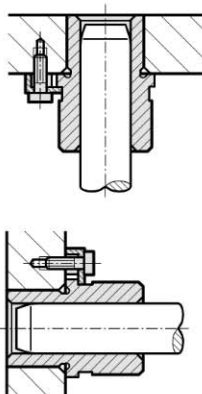


Headed guide bush, sintered ferrite carbonitrided with long-term lubrication, ISO 9448-6



Mounting example

2081.35.



Material:

Sintered ferrite of high purity, carbonitrided, long-term lubrication

Execution:

Bearing surfaces, diameter d_3 and collar face precision ground.

Note:

The attachment is with 3 Screw clamp, from $\varnothing d_1 = 38$ with 4 Screw clamp, which are included in delivery (Order No: 207.45 - Screw clamp incl. socket cap screw DIN 6912, Head $\varnothing 13$).

Notes on sliding type guides at the beginning of chapter D.

Bearing clearance see pairing classification at the beginning of chapter D. Matching guide combinations, see selection matrix at the beginning of chapter D.

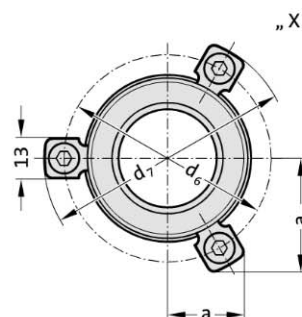
Assembly guide lines / Dimensional requirements and tolerances at the end of chapter D.

Tolerance range:

yellow = .10

green = .20

red = .30



2081.35. Headed guide bush, sintered ferrite carbonitrided with long-term lubrication, ISO 9448-6

d_1	19 20	24 25	30 32	38 40	48 50	60 63
d_3	32	40	48	58	70	85
d_4	32	40	48	58	70	85
d_5	40	48	56	66	80	95
d_6	52	60	67	77	91	106
d_7	64.7	72.7	79.7	89.7	103.7	118.7
a	20.7	22.65	24.4	35.3	40.2	45.5
a_1	30	33.4	36.4	35.3	40.2	45.5
l_1	35	35	42	52	65	80
l_2	23	23	30	37	47	60
l_3	12	12	12	15	18	20

Ordering Code (example):

Headed guide bush, sintered ferrite carbonitrided with long-term lubrication, ISO 9448-6

=2081.35.

Guide diameter d_1

38 mm= 038.

Classification TOL

yellow= 10

Order No

=2081.35.038.10