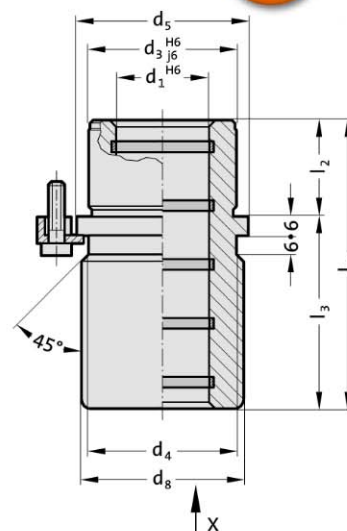
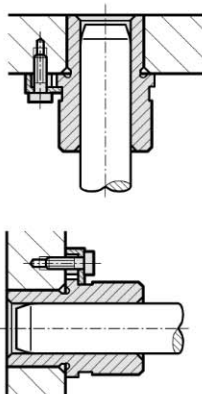


## Headed guide bush "ECO-LINE", Bronze with solid lubricant rings, ISO 9448-6



Mounting example

2081.71.



### Material:

Bronze with solid lubricant, oilless lubricating

### Execution:

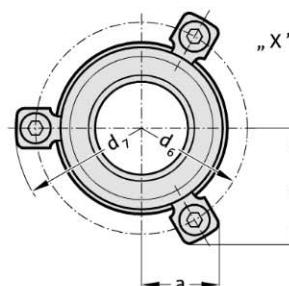
### Note:

The attachment is with 3 Screw clamp, from  $\varnothing d_1 = 38$  with 4 Screw clamp, which are included in delivery (Order No: 207.45 - Screw clamp incl. socket cap screw DIN 6912, Head  $\varnothing 13$ ).

Notes on sliding type guides at the beginning of chapter D.

Matching guide combinations, see selection matrix at the beginning of chapter D.

Assembly guide lines / Dimensional requirements and tolerances at the end of chapter D.



### 2081.71. Headed guide bush "ECO-LINE", Bronze with solid lubricant rings, ISO 9448-6

$d_1$	19 20	24 25	30 32	38 40	48 50	60 63	80
$d_3$	32	40	48	58	70	85	105
$d_4$	32	40	48	58	70	85	105
$d_5$	40	48	56	66	80	95	118
$d_6$	52	60	67	77	91	106	129
$d_7$	64.7	72.7	79.7	89.7	103.7	118.7	141
$d_8$	39	46	53	63	77	92	115
$a$	20.7	22.65	24.4	35.3	40.2	45.5	54.5
$a_1$	30	33.4	36.4	35.3	40.2	45.5	54.5
$l_1$	59	79	93	108	127	150	150
$l_2$	23	23	30	37	47	60	60
$l_3$	36	56	63	71	80	90	90

### Ordering Code (example):

Headed guide bush "ECO-LINE", Bronze with solid lubricant rings, ISO 9448-6

=2081.71.

Guide diameter  $d_1$

38 mm= 038

Order No

=2081.71.038