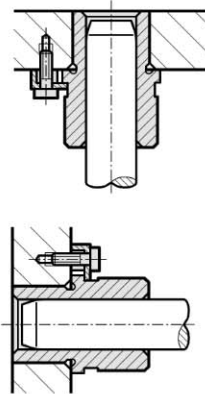
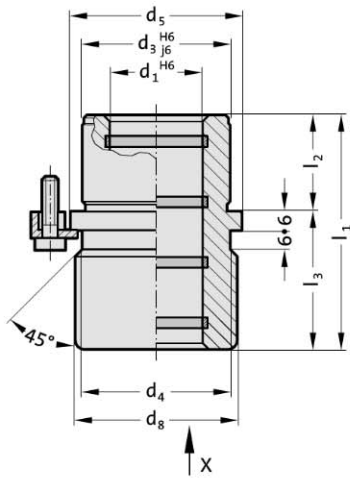


Headed guide bush "ECO-LINE", Bronze with solid lubricant rings, ISO 9448-6

2081.74.

Mounting example



**Material:**

Bronze with solid lubricant, oilless lubricating

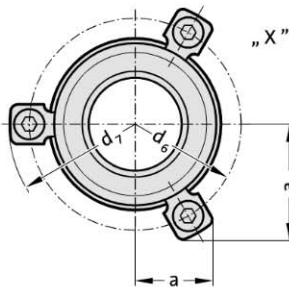
**Execution:**

**Note:**

The attachment is with 3 Screw clamp, from  $\varnothing d_1 = 38$  with 4 Screw clamp, which are included in delivery (Order No: 207.45 - Screw clamp incl. socket cap screw DIN 6912, Head  $\varnothing 13$ ).

Notes on sliding type guides at the beginning of chapter D. Matching guide combinations, see selection matrix at the beginning of chapter D.

Assembly guide lines / Dimensional requirements and tolerances at the end of chapter D.



2081.74. Headed guide bush "ECO-LINE", Bronze with solid lubricant rings, ISO 9448-6

|       |       |       |       |       |       |       |      |
|-------|-------|-------|-------|-------|-------|-------|------|
| $d_1$ | 19 20 | 24 25 | 30 32 | 38 40 | 48 50 | 60 63 | 80   |
| $d_3$ | 32    | 40    | 48    | 58    | 70    | 85    | 105  |
| $d_4$ | 32    | 40    | 48    | 58    | 70    | 85    | 105  |
| $d_5$ | 40    | 48    | 56    | 66    | 80    | 95    | 118  |
| $d_6$ | 52    | 60    | 67    | 77    | 91    | 106   | 129  |
| $d_7$ | 64.7  | 72.7  | 79.7  | 89.7  | 103.7 | 118.7 | 141  |
| $d_8$ | 39    | 46    | 53    | 63    | 77    | 92    | 115  |
| $a$   | 20.7  | 22.65 | 24.4  | 35.3  | 40.2  | 45.5  | 54.5 |
| $a_1$ | 30    | 33.4  | 36.4  | 35.3  | 40.2  | 45.5  | 54.5 |
| $l_1$ | 43    | 59    | 75    | 82    | 97    | 116   | 120  |
| $l_2$ | 23    | 23    | 30    | 37    | 47    | 60    | 60   |
| $l_3$ | 20    | 36    | 45    | 45    | 50    | 56    | 60   |

**Ordering Code (example):**

Headed guide bush "ECO-LINE", Bronze with solid lubricant rings, ISO 9448-6

=2081.74.

Guide diameter  $d_1$

38 mm= 038

Order No

=2081.74.038