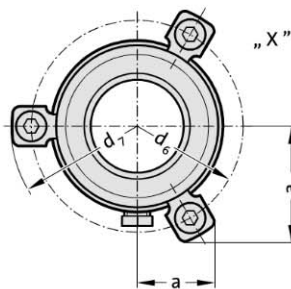
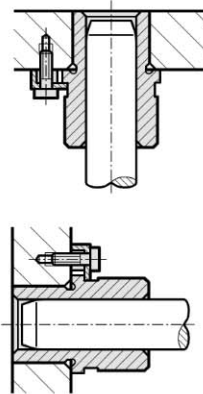
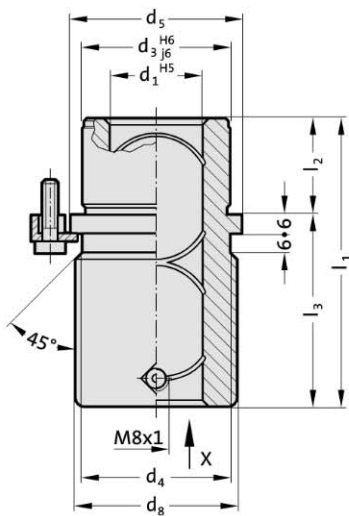


Headed guide bush "ECO-LINE", bronzeplated, ISO 9448-6

2081.91.

Mounting example



Material:

Steel, d₃ induction hardened

Execution:

Bronze plated internal bore.

Diameter d₃ and collar face precision ground.

Note:

The attachment is with 3 Screw clamp, from Ø d₁ = 38 with 4 Screw clamp, which are included in delivery (Order No: 207.45 - Screw clamp incl. socket cap screw DIN 6912, Head Ø 13).

Matching guide combinations, see selection matrix at the beginning of chapter D.

Assembly guide lines / Dimensional requirements and tolerances at the end of chapter D.



2081.91. Headed guide bush "ECO-LINE", bronzeplated, ISO 9448-6

d ₁	19 20	24 25	30 32	38 40	48 50	60 63	80
d ₃	32	40	48	58	70	85	105
d ₄	32	40	48	58	70	85	105
d ₅	40	48	56	66	80	95	118
d ₆	52	60	67	77	91	106	129
d ₇	64.7	72.7	79.7	89.7	103.7	118.7	141
d ₈	39	46	53	63	77	92	115
a	20.7	22.7	24.4	35.3	40.2	45.5	54.5
a ₁	30.3	33.4	36.4	35.3	40.2	45.5	54.5
l ₁	59	79	93	108	127	150	150
l ₂	23	23	30	37	47	60	60
l ₃	36	56	63	71	80	90	90

Ordering Code (example):

Headed guide bush "ECO-LINE", bronzeplated, ISO 9448-6	=2081.91.
Guide diameter d ₁	38 mm= 038
Order No	=2081.91.038