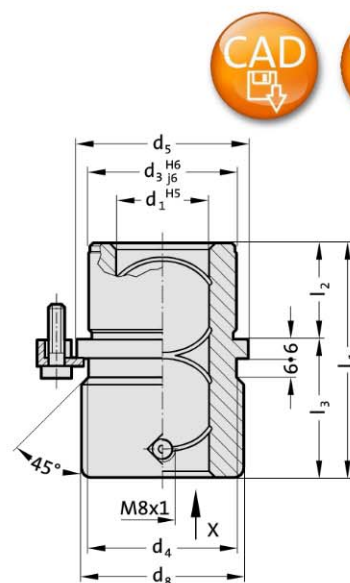
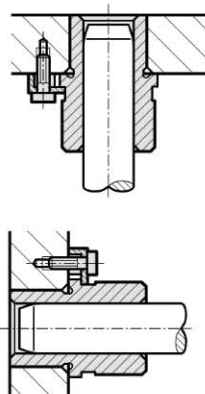


Headed guide bush "ECO-LINE", bronzeplated, ISO 9448-6



Mounting example

2081.94.



Material:

Steel, d_3 induction hardened

Execution:

Bronze plated internal bore.

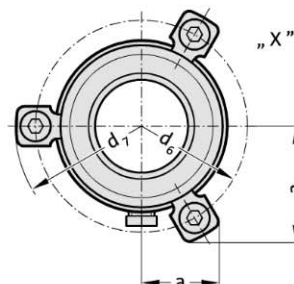
Diameter d_3 and collar face precision ground.

Note:

The attachment is with 3 Screw clamp, from $\varnothing d_1 = 38$ with 4 Screw clamp, which are included in delivery (Order No: 207.45 - Screw clamp incl. socket cap screw DIN 6912, Head $\varnothing 13$).

Matching guide combinations, see selection matrix at the beginning of chapter D.

Assembly guide lines / Dimensional requirements and tolerances at the end of chapter D.



2081.94. Headed guide bush "ECO-LINE", bronzeplated, ISO 9448-6

d_1	19 20	24 25	30 32	38 40	48 50	60 63	80
d_3	32	40	48	58	70	85	105
d_4	32	40	48	58	70	85	105
d_5	40	48	56	66	80	95	118
d_6	52	60	67	77	91	106	129
d_7	64.7	72.7	79.7	89.7	103.7	118.7	141
d_8	39	46	53	63	77	92	115
a	20.7	22.7	24.4	35.3	40.2	45.5	54.5
a_1	30.3	33.4	36.4	35.3	40.2	45.5	54.5
l_1	43	59	75	82	97	116	120
l_2	23	23	30	37	47	60	60
l_3	20	36	45	45	50	56	60

Ordering Code (example):

Headed guide bush "ECO-LINE", bronzeplated, ISO 9448-6

=2081.94.

Guide diameter d_1

38 mm= 038

Order No

=2081.94.038