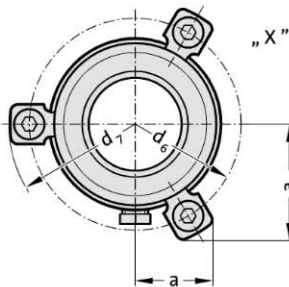
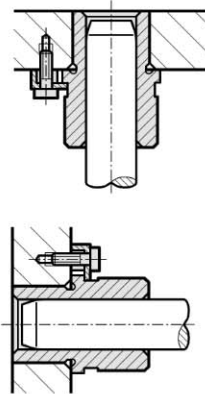
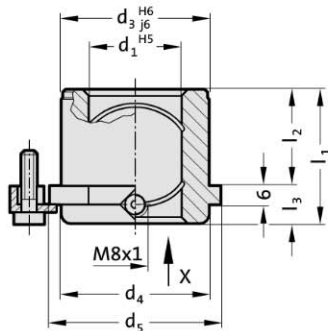




Headed guide bush "ECO-LINE", bronzeplated, ISO 9448-6

2081.95.

Mounting example

**Material:**Steel, d₃ induction hardened**Execution:**

Bronze plated internal bore.

Diameter d₃ and collar face precision ground.**Note:**

The attachment is with 3 Screw clamp, from $\varnothing d_1 = 38$ with 4 Screw clamp, which are included in delivery (Order No: 207.45 - Screw clamp incl. socket cap screw DIN 6912, Head $\varnothing 13$).

Matching guide combinations, see selection matrix at the beginning of chapter D.

Assembly guide lines / Dimensional requirements and tolerances at the end of chapter D.

2081.95. Headed guide bush "ECO-LINE", bronzeplated, ISO 9448-6

d ₁	19 20	24 25	30 32	38 40	48 50	60 63	80
d ₃	32	40	48	58	70	85	105
d ₄	32	40	48	58	70	85	105
d ₅	40	48	56	66	80	95	118
d ₆	52	60	67	77	91	106	129
d ₇	64.7	72.7	79.7	89.7	103.7	118.7	141
a	20.7	22.65	24.4	35.3	40.2	45.5	54.4
a ₁	30	33.4	36.4	35.3	40.2	45.5	54.4
l ₁	35	35	42	52	65	80	80
l ₂	23	23	30	37	47	60	60
l ₃	12	12	12	15	18	20	20

Ordering Code (example):

Headed guide bush "ECO-LINE", bronzeplated, ISO 9448-6

=2081.95.

Guide diameter d₁

38 mm= 038

Order No

=2081.95.038