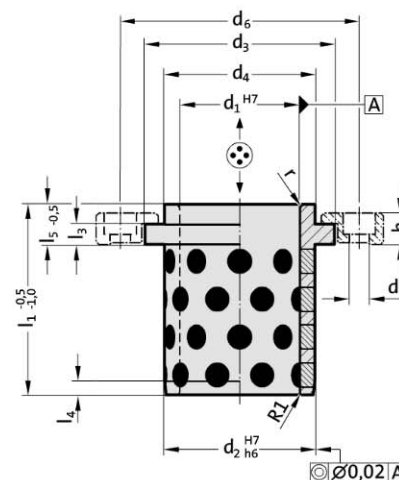


Guide bush with collar, Bronze with solid lubricant, DIN 9834/ISO 9448



2082.70.



Material:

Bronze with solid lubricant, oilless lubricating

Note:

Matching guide combinations, see selection matrix at the beginning of chapter D.

Assembly guide lines / Dimensional requirements and tolerances at the end of chapter D.

Fixing:

(to be ordered separately)

Screw clamps with screws,

up to $\varnothing d_1 = 50$ - 2072.45.10 (M6 X 16 DIN EN ISO 4762)

from $\varnothing d_1 = 60$ - 2072.45.16 (M10 X 20 DIN EN ISO 4762)

Attention:

Bushes can only be used with axial motion!



2082.70. Guide bush with collar, Bronze with solid lubricant, DIN 9834/ISO 9448

d_1	24 25	30 32	38 40	48 50	60 63	80	100	125	160
d_2	32	40	50	63	80	100	125	160	200
d_3	40	50	63	71	90	112	140	180	220
d_4	32	40	50	63	80	100	125	160	200
d_6	58	66	79	89	123	143	168	203	243
d_7	7	7	7	7	11.5	11.5	11.5	11.5	11.5
l_1	40	50	63	71	80	100	125	160	200
l_3	6.3	6.3	6.3	6.3	10	10	10	10	10
l_4	3	4	5	6.3	8	10	12.5	16	16
l_5	10	12	15	17	19	22	21	30	32
h	10	10	10	10	16	16	16	16	16
r	3	3	3	5	6	8	10	12	18

Ordering Code (example):

Guide bush with collar, Bronze with solid lubricant,
DIN 9834/ISO 9448

=2082.70.

Guide diameter d_1

50 mm= 050

Order No

=2082.70.050