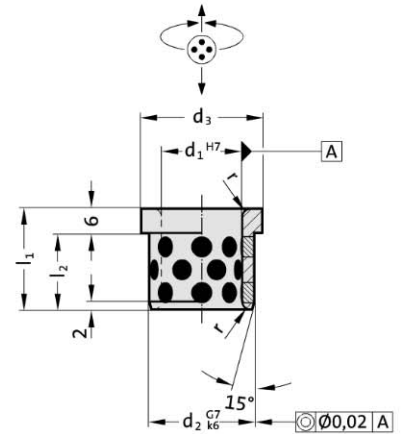




2085.70.



Material:

Bronze with solid lubricant, oilless lubricating

Note:

Bushes can be used with radial or axial motion.
Bushes can also be fitted with Loctite.

Matching guide combinations, see selection matrix at the beginning of chapter D.

Assembly guide lines / Dimensional requirements and tolerances at the end of chapter D.

2085.70. Guide bush with collar, Bronze with solid lubricant

d_1	12	16	20	24
d_2	16	20	26	30
d_3	18	24	28	35
r	2	2	2	4
l_1 l_2				
20 14	●	●	●	●
25 19	●	●	●	●
30 24	●	●	●	●

Ordering Code (example):

Guide bush with collar, Bronze with solid lubricant =2085.70.

Guide diameter d_1 20 mm= 020.

Length l_1 20 mm= 020

Order No =2085.70.020.020