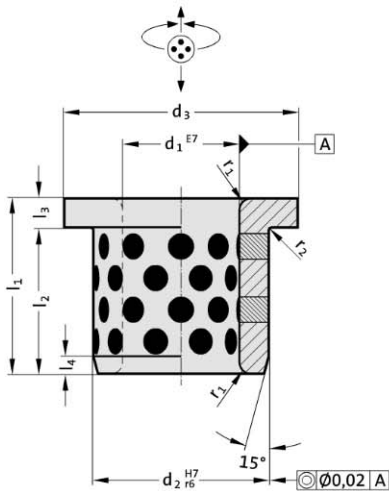




Guide bush with collar, Bronze with solid lubricant

2085.71.



Material:

Bronze with solid lubricant, oilless lubricating

Note:

Bushes can be used with radial or axial motion.

Matching guide combinations, see selection matrix at the beginning of chapter D.

Assembly guide lines / Dimensional requirements and tolerances at the end of chapter D.

Attention:

Note that press fitment reduces inside bush diameter.

2085.71. Guide bush with collar, Bronze with solid lubricant

| | | | | | | | | | | | | | | | | | | | | | | | |
|----------------|------|-----|-----|-----|-----|-----|-----|-----|-----|------|-----|-----|-----|-----|-----|------|-----|------|-----|------|-----|-----|-----|
| d ₁ | 10 | 12 | 13 | 14 | 15 | 16 | 20 | 25 | 30 | 31.5 | 35 | 40 | 45 | 50 | 55 | 60 | 63 | 70 | 75 | 80 | 90 | 100 | 120 |
| d ₂ | 14 | 18 | 19 | 20 | 21 | 22 | 30 | 35 | 40 | 40 | 45 | 50 | 55 | 60 | 65 | 75 | 75 | 85 | 90 | 100 | 110 | 120 | 140 |
| d ₃ | 22 | 25 | 26 | 27 | 28 | 29 | 40 | 45 | 50 | 50 | 60 | 65 | 70 | 75 | 80 | 90 | 85 | 105 | 110 | 120 | 130 | 150 | 170 |
| l ₃ | 2 | 3 | 3 | 3 | 3 | 3 | 5 | 5 | 5 | 5 | 5 | 5 | 5 | 5 | 5 | 7.5 | 7.5 | 7.5 | 7.5 | 10 | 10 | 10 | 10 |
| l ₄ | 2 | 2 | 2 | 2 | 2 | 2 | 3 | 3 | 3 | 3 | 3 | 3 | 3 | 3 | 3 | 4 | 4 | 4 | 4 | 4 | 4 | 4 | 4 |
| r ₁ | 1 | 1 | 1 | 1 | 1 | 1 | 2 | 2 | 2 | 2 | 2 | 2 | 2 | 2 | 2 | 3 | 3 | 3 | 3 | 3 | 3 | 3 | 3 |
| r ₂ | 0.4 | 0.4 | 0.4 | 0.4 | 0.5 | 0.5 | 0.5 | 0.5 | 0.5 | 0.6 | 0.6 | 0.6 | 0.6 | 0.6 | 0.7 | 0.7 | 0.7 | 0.7 | 0.7 | 0.7 | 0.8 | 0.8 | 0.8 |
| l ₁ | 15 | 13 | 12 | 12 | 12 | 12 | 10 | 10 | | | | | | | | | | | | | | | |
| l ₂ | 20 | 18 | 17 | 17 | 17 | 17 | 15 | 15 | 15 | 15 | 15 | 15 | | | | | | | | | | | |
| | 25 | | | | 22 | 22 | 20 | 20 | 20 | | | | | | | | | | | | | | |
| | 30 | | | | 27 | 27 | 25 | 25 | 25 | | 25 | 25 | 25 | 25 | | | | | | | | | |
| | 35 | | | | | | | | | 30 | 30 | | | | | | | | | | | | |
| | 40 | | | | | | 35 | 35 | 35 | | 35 | 35 | 35 | 35 | 35 | 32.5 | | | | | | | |
| | 50 | | | | | | | | 45 | | 45 | 45 | 45 | 45 | 45 | 42.5 | | 42.5 | | | | | |
| | 60 | | | | | | | | | | | | 55 | 55 | 55 | | | | | 52.5 | 50 | 50 | |
| | 67.5 | | | | | | | | | | | | | | | | | 60 | | | | | |
| | 80 | | | | | | | | | | | | | | | | | | | 72.5 | 70 | 70 | 70 |
| | 100 | | | | | | | | | | | | | | | | | | | | 90 | 90 | 90 |

Ordering Code (example):

| | |
|---|------------------|
| Guide bush with collar, Bronze with solid lubricant | =2085.71. |
| Guide diameter d ₁ | 35 mm= 035. |
| Length l ₁ | 20 mm= 020 |
| Order No | =2085.71.035.020 |