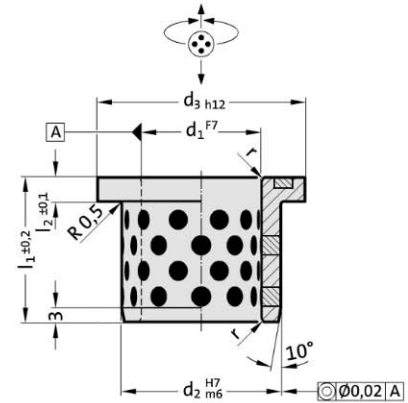




2086.70.



Material:

Bronze with solid lubricant, oilless lubricating

Note:

Bushes can be used with radial or axial motion.

Matching guide combinations, see selection matrix at the beginning of chapter D.

Assembly guide lines / Dimensional requirements and tolerances at the end of chapter D.

Attention:

Note that press fitment reduces inside bush diameter.

2086.70. Guide bush with collar, Bronze with solid lubricant

d_1	12	16	20	25	30	40	50	60
d_2	18	22	28	33	38	50	62	75
d_3	25	30	36	43	48	60	75	90
r	1	1	1	1	1	2	2	3
l_1	15	20	25	30	35	45	55	65
l_2	4	5	5	5	5	5	6	7

Ordering Code (example):

Guide bush with collar, Bronze with solid lubricant =2086.70.

Guide diameter d_1 30 mm= 030.

Total length l_1 35 mm= 035

Order No =2086.70.030.035