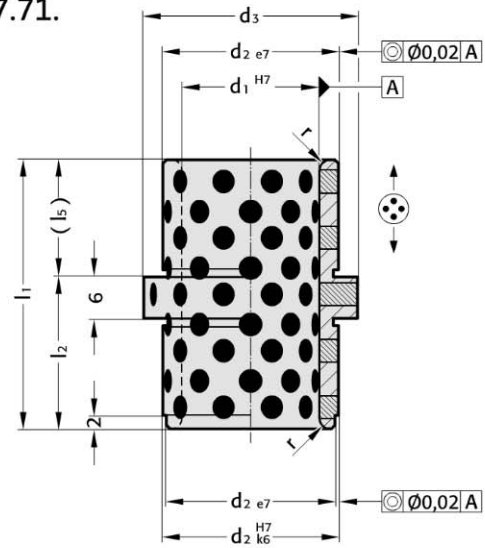




2087.71.



Material:

Bronze with solid lubricant, oilless lubricating.

Note:

Assembly guide lines / Dimensional requirements and tolerances at the end of chapter D.

Attention:

Bushes can only be used with axial motion!

2087.71. Guide bush with collar, Bronze with solid lubricant

d_1	14 15	18 20	22 24	30 32
d_2	20	26	30	42
d_3	25	31	35	47
r	1	1.5	2	2
l_1	26	39	49	63
l_2	17	22	27	36
l_5	9	17	22	27

Ordering Code (example):

Guide bush with collar, Bronze with solid lubricant = **2087.71.**

Guide diameter d_1 22 mm = 022.

Length with collar l_2 27 mm = 027

Order No = **2087.71.022.027**