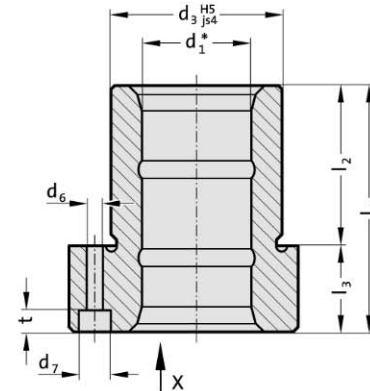
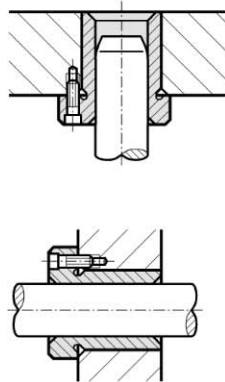


Flanged guide bush, sintered ferrite carbonitrided with long-term lubrication, ISO 9448-4



Mounting example

2091.31.



Material:

Sintered ferrite of high purity, carbonitrided, long-term lubrication

Execution:

Bearing surfaces, diameter d_3 and collar face precision ground.

Note:

The guide bush is fixed by means of 3 screws to DIN EN ISO 4762.

The screws are not contained in the scope of delivery.

Notes on sliding type guides at the beginning of chapter D.

Bearing clearance see pairing classification at the beginning of chapter D.

Matching guide combinations, see selection matrix at the beginning of chapter D.

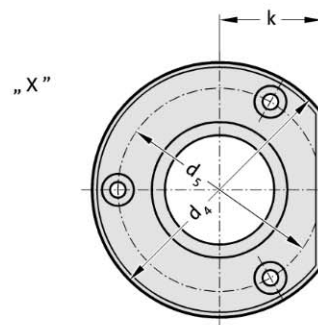
Assembly guide lines / Dimensional requirements and tolerances at the end of chapter D.

Tolerance range:

yellow = .10

green = .20

red = .30



2091.31. Flanged guide bush, sintered ferrite carbonitrided with long-term lubrication, ISO 9448-4

d_1	19 20	24 25	30 32	38 40	48 50	60 63	80
d_3	32	40	48	58	70	85	105
d_4	50	63	72	85	104	120	148
d_5	40	50	58	70	86	100	125
d_6	4.5	5.5	5.5	6.6	9	9	11
d_7	8	10	10	11	15	15	18
k	18	23	28	33	38	46	56
l_1	52	62	72	77	102	102	125
l_2	37	37	47	47	60	60	75
l_3	15	25	25	30	42	42	50
t	4.6	5.7	5.7	6.8	9	9	11

Ordering Code (example):

Flanged guide bush, sintered ferrite carbonitrided with long-term lubrication, ISO 9448-4

=2091.31.

Guide diameter d_1

38 mm= 038.

Classification TOL

yellow= 10

Order No

=2091.31.038.10