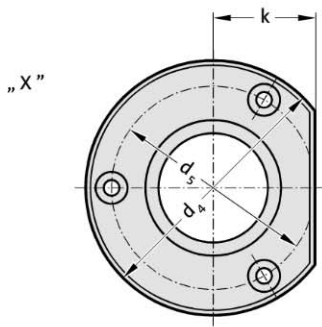
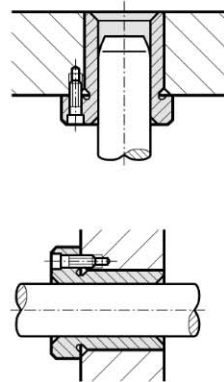
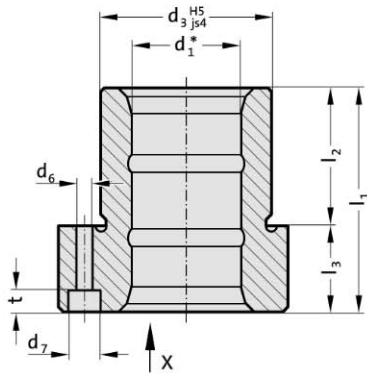


Flanged guide bush, sintered ferrite carbonitrided with long-term lubrication, ISO 9448-4

2091.32.

Mounting example



Material:

Sintered ferrite of high purity, carbonitrided, long-term lubrication

Execution:

Bearing surfaces, diameter d₃ and collar face precision ground.

Note:

The guide bush is fixed by means of 3 screws up to ø 16: with screws to DIN 6912, from ø 19: with screws to DIN EN ISO 4762.

The screws are not contained in the scope of delivery.

Notes on sliding type guides at the beginning of chapter D.

Bearing clearance see pairing classification at the beginning of chapter D. Matching guide combinations, see selection matrix at the beginning of chapter D.

Assembly guide lines / Dimensional requirements and tolerances at the end of chapter D.

Tolerance range:

yellow = .10

green = .20

red = .30



2091.32. Flanged guide bush, sintered ferrite carbonitrided with long-term lubrication, ISO 9448-4

d ₁	15 16	19 20	24 25	30 32	38 40	48 50	60 63
d ₃	28	32	40	48	58	70	85
d ₄	45	50	63	72	85	104	120
d ₅	35	40	50	58	70	86	100
d ₆	4.5	4.5	5.5	5.5	6.6	9	9
d ₇	8	8	10	10	11	15	15
k	15	18	23	28	33	38	46
l ₁	36	45	55	62	67	89	89
l ₂	30	30	30	37	37	47	47
l ₃	6	15	25	25	30	42	42
t	3.4	4.6	5.7	5.7	6.8	9	9

Ordering Code (example):

Flanged guide bush, sintered ferrite carbonitrided with long-term lubrication, ISO 9448-4

=2091.32.

Guide diameter d₁

32 mm = 032.

Classification TOL

yellow = 10

Order No

=2091.32.032.10