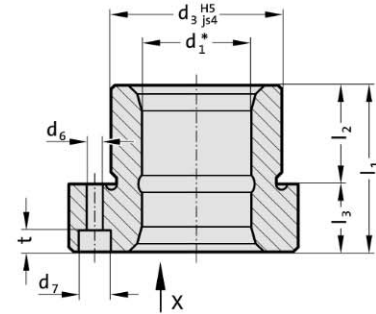
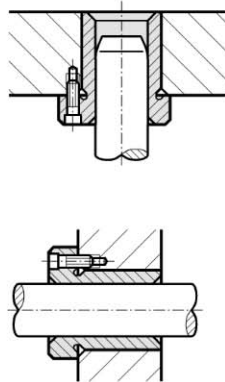


## Flanged guide bush, sintered ferrite carbonitrided with long-term lubrication, ISO 9448-4



Mounting example

2091.34.



### Material:

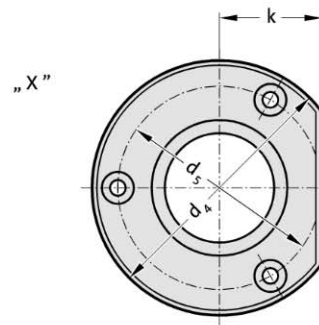
Sintered ferrite of high purity, carbonitrided, long-term lubrication

### Execution:

Bearing surfaces, diameter  $d_3$  and collar face precision ground.

### Note:

The guide bush is fixed by means of 3 screws up to  $\phi 16$ : with screws to DIN 6912, from  $\phi 19$ : with screws to DIN EN ISO 4762.  
 The screws are not contained in the scope of delivery.  
 Notes on sliding type guides at the beginning of chapter D.  
 Bearing clearance see pairing classification at the beginning of chapter D.  
 Matching guide combinations, see selection matrix at the beginning of chapter D.  
 Assembly guide lines / Dimensional requirements and tolerances at the end of chapter D.



### Tolerance range:

yellow = .10  
 green = .20  
 red = .30

## 2091.34. Flanged guide bush, sintered ferrite carbonitrided with long-term lubrication, ISO 9448-4

$d_1$	15 16	19 20	24 25	30 32	38 40	48 50
$d_3$	28	32	40	48	58	70
$d_4$	45	50	63	72	85	104
$d_5$	35	40	50	58	70	86
$d_6$	4.5	4.5	5.5	5.5	6.6	9
$d_7$	8	8	10	10	11	15
k	15	18	23	28	33	38
$l_1$	29	38	38	45	55	62
$l_2$	23	23	23	30	30	37
$l_3$	6	15	15	15	25	25
t	3.4	4.6	5.7	5.7	6.8	9

### Ordering Code (example):

Flanged guide bush, sintered ferrite carbonitrided with long-term lubrication, ISO 9448-4

=2091.34.

Guide diameter  $d_1$

30 mm= 030.

Classification TOL

yellow= 10

Order No

=2091.34.030.10