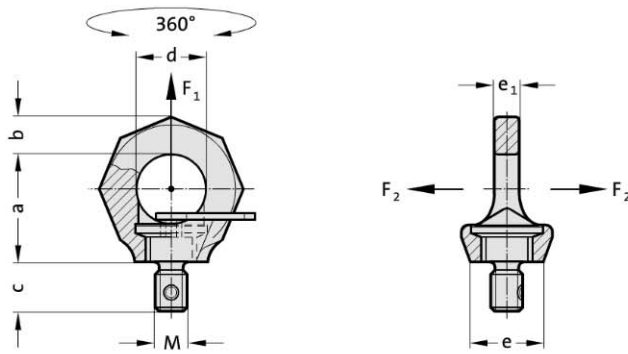




# Lifting eye bolt, rotatable

2131.11.



### Description:

During use check that the hexagon socket screw is firmly seated. Can be set for the direction of application so that there is no accidental turning and flipping over. Captive hexagon socket screw. No tools are required as the hexagon socket screw is supplied with a hardened star profile key. The star profile key engages in the hexagon socket. It can be screwed and unscrewed by hand.

Make sure that the ring is free to rotate through 360° when the unit is screwed in.

### Material:

1.6541, forged, heavy duty heat treated.  
100% electromagnetically crack tested, to EN 1677-4, safety factor 4:1.

### Note:

Ensure that the bolting surface is flat. Thread must be screwed in completely.

Format: stellate – clearly distinguishable to DIN 580 eye bolt  
Identification: clear indication of permissible load for the loading capacity in the plane of the ring.

## 2131.11. Lifting eye bolt, rotatable

| Order No    | a   | b  | c  | d  | e   | e <sub>1</sub> | M   |
|-------------|-----|----|----|----|-----|----------------|-----|
| 2131.11.008 | 34  | 11 | 12 | 25 | 25  | 11.7           | M8  |
| 2131.11.010 | 34  | 11 | 15 | 25 | 25  | 12.1           | M10 |
| 2131.11.012 | 42  | 13 | 18 | 30 | 30  | 14.9           | M12 |
| 2131.11.016 | 49  | 15 | 24 | 35 | 35  | 17.3           | M16 |
| 2131.11.020 | 57  | 17 | 30 | 40 | 40  | 20.5           | M20 |
| 2131.11.024 | 69  | 21 | 36 | 48 | 48  | 25.4           | M24 |
| 2131.11.030 | 86  | 26 | 45 | 60 | 60  | 30.1           | M30 |
| 2131.11.036 | 103 | 32 | 54 | 72 | 75  | 37.6           | M36 |
| 2131.11.042 | 120 | 38 | 63 | 82 | 85  | 43.7           | M42 |
| 2131.11.048 | 137 | 43 | 72 | 94 | 100 | 48.1           | M48 |

### Max. carried load "G" in tonnes for various types of attachment

| Type of attachment, Arrangement of the suspension points |                        |      |    |     |               |                |                     |                     |                      |      |
|--|------------------------|------|----|-----|---------------|----------------|---------------------|---------------------|----------------------|------|
| Number of lines  | 1                      | 1    | 2  | 2   | 2 symmetrical | 2 asymmetrical | 3 and 4 symmetrical | 3 and 4 symmetrical | 3 and 4 asymmetrical |      |
| Angle of inclination/ load direction                     | 0°                     | 90°  | 0° | 90° | 0-45°         | 45-60°         | 0-45°               | 45-60°              |                      |      |
| Order No   | carried load in tonnes |      |    |     |               |                |                     |                     |                      |      |
| 2131.11.008  | 1                      | 0,4  | 2  | 0,8 | 0,56          | 0,4            | 0,4                 | 0,84                | 0,6                  | 0,4  |
| 2131.11.010  | 1                      | 0,4  | 2  | 0,8 | 0,56          | 0,4            | 0,4                 | 0,84                | 0,6                  | 0,4  |
| 2131.11.012  | 2                      | 0,75 | 4  | 1,5 | 1             | 0,75           | 0,75                | 1,6                 | 1,12                 | 0,75 |
| 2131.11.016  | 4                      | 1,5  | 8  | 3   | 2,1           | 1,5            | 1,5                 | 3,15                | 2,25                 | 1,5  |
| 2131.11.020  | 6                      | 2,3  | 12 | 4,6 | 3,22          | 2,3            | 2,3                 | 4,83                | 3,45                 | 2,3  |
| 2131.11.024  | 8                      | 3,2  | 16 | 6,4 | 4,48          | 3,2            | 3,2                 | 6,7                 | 4,8                  | 3,2  |
| 2131.11.030  | 12                     | 4,5  | 24 | 9   | 6,3           | 4,5            | 4,5                 | 9,4                 | 6,7                  | 4,5  |
| 2131.11.036  | 16                     | 7    | 32 | 14  | 9,8           | 7              | 7                   | 14,7                | 10,5                 | 7    |
| 2131.11.042  | 24                     | 9    | 48 | 18  | 12,6          | 9              | 9                   | 18,9                | 13,5                 | 9    |
| 2131.11.048  | 32                     | 12   | 64 | 24  | 16,8          | 12             | 12                  | 25,2                | 18                   | 12   |