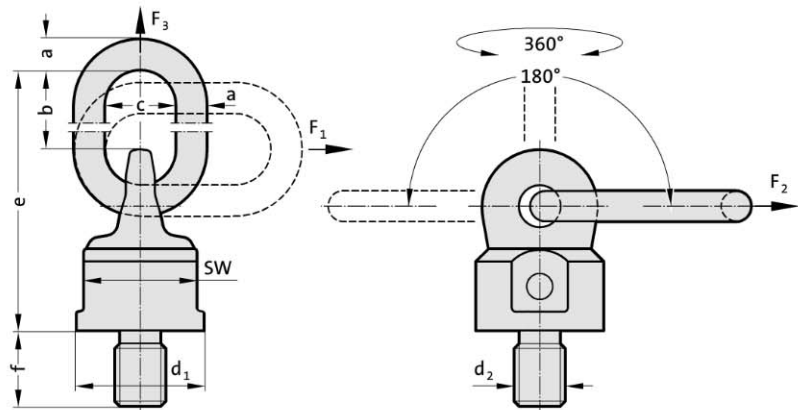




2131.21.



Description:

For loads that are turned and rotated.
 Mounted on ball-bearings – can be rotated through 360° under load (F_3).
 Cannot be rotated under full load at 90° to the threaded fixing (F_1, F_2).
 Not suitable for extended rotational movement when fully loaded.
 Can be loaded on all sides with a safety factor 4:1.

Note:

Ensure that the bolting surface is flat. Thread must be screwed in completely.
 The threaded connection on the transported load must be suitable for transferring forces.

2131.21. Rotary safety eyebolt, heavy duty, with ball bearing

Order No	Rated carrying capacity for F_1 [t]	a	b	c	d_1	d_2	e	f	SW*
2131.21.036	8	22	87	50	90	36	210	54	80
2131.21.042	10	26	112	65	98	42	240	63	85
2131.21.045	10	26	112	65	98	45	240	67	85
2131.21.048	10	26	112	65	98	48	240	68	85
2131.21.056	15	32	120	70	120	56	280	84	95
2131.21.064	15	32	120	70	120	64	280	95	95
2131.21.090	35	40	125	80	170	90	332	135	130

*SW = Width across flats

Max. carried load "G" in tonnes for various types of attachment

Type of attachment, Arrangement of the suspension points	$F_3 \uparrow$ G	$F_1(F_2) \uparrow$ G	$\delta \uparrow$ G	$\delta \uparrow$ G	$\alpha, \beta \uparrow$ G	$\alpha, \beta \uparrow$ G	$\alpha, \beta \uparrow$ G	$\alpha, \beta \uparrow$ G	$\alpha, \beta \uparrow$ G		
Number of lines	1	1	2	2	2 symmetrical	2 asymmetrical	3 and 4 symmetrical	3 and 4 asymmetrical			
Angle of inclination/ load direction	0°	90°	0°	90°	0–45°	45–60°	0–45°	45–60°	asymmetrical		
Order No	Thread	carried load in tonnes									
2131.21.036	M36	12,5	8 (10)	25	16 (20)	11,2 (14)	8 (10)	8 (10)	16,8 (21)	12 (15)	8 (10)
2131.21.042	M42	16	10 (12,5)	32	20 (25)	14 (17,5)	10 (12,5)	10 (12,5)	21 (26,2)	15 (18,8)	10 (12,5)
2131.21.045	M45	16	10 (12,5)	32	20 (25)	14 (17,5)	10 (12,5)	10 (12,5)	21 (26,2)	15 (18,8)	10 (12,5)
2131.21.048	M48	16	10 (12,5)	32	20 (25)	14 (17,5)	10 (12,5)	10 (12,5)	21 (26,2)	15 (18,8)	10 (12,5)
2131.21.056	M56	25	15 (18)	50	30 (36)	21 (25,2)	15 (18)	15 (18)	31,5 (38)	22,5 (27)	15 (18)
2131.21.064	M64	25	15 (18)	50	30 (36)	21 (25,2)	15 (18)	15 (18)	31,5 (38)	22,5 (27)	15 (18)
2131.21.090	M90	35	35 (40)	70	70 (80)	49 (56)	35 (40)	35 (40)	73,5 (84)	52,5 (60)	35 (40)