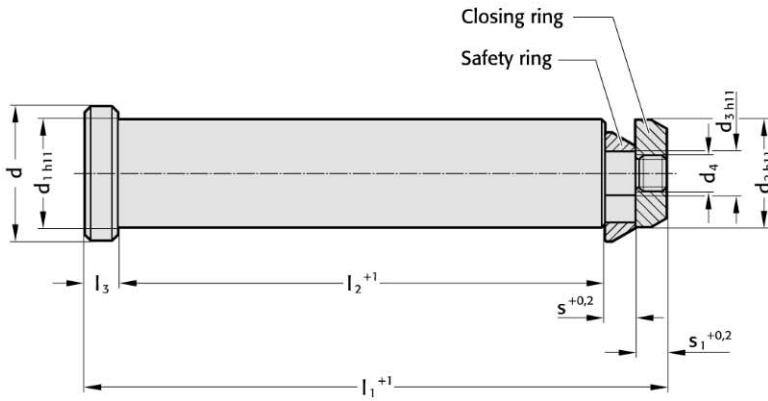


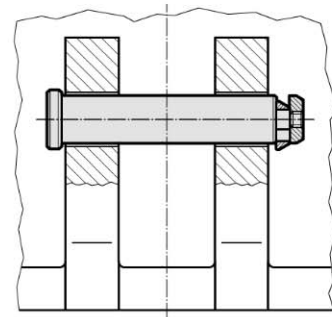


Die lifting bolt with safety ring, VDI 3366

2132.10.



Mounting example



Note:

It is important to ensure that there is safety clearance on both outer sides of the cast cheeks and that there is room for installation on one side.
 The Lifting bolt must always be introduced from the outside of the tool towards the middle.

2132.10. Die lifting bolt with safety ring, VDI 3366

Order No	max. carrying capacity (2 die lifting bolts) [kg]*	d	d ₁	d ₂	d ₃	d ₄	l ₁	l ₂	l ₃	s	s ₁
2132.10.032	6400	40	32	32	13	M10	175	145	10	10	10
2132.10.040	10000	50	40	40	16	M12	225	188	10	14	13
2132.10.050	16000	60	50	50	24	M20	273	230	11	16	16
2132.10.063	25000	75	63	63	30	M24	347	295	14	18	20
2132.10.076	63000	95	76	76	40	M36	422	360	15	20	27

*The maximum permissible load capacity is to be calculated such that two bolts on their own are capable of carrying or turning the tool.