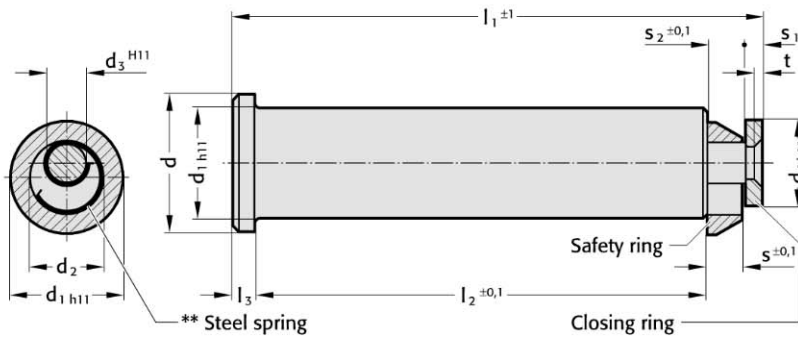


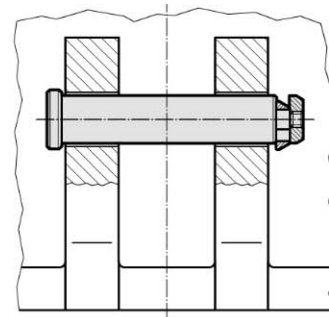


Die lifting bolt with safety ring, CNOMO Standard

2132.11.



Mounting example



Note:

It is important to ensure that there is safety clearance on both outer sides of the cast cheeks and that there is room for installation on one side.
 The lifter bolt must always be introduced from the outside of the tool towards the middle.

**Steel spring included.

2132.11. Die lifting bolt with safety ring, CNOMO Standard

Order No	max. carrying capacity (2 die lifting bolts) [kg]*	d	d ₁	d ₂	d ₃	d ₄	l ₁	l ₂	l ₃	s	s ₁	s ₂	t
2132.11.032	12000	40	32	22	12	25	154	132	6	10	5	11	2.5
2132.11.040	18000	50	40	28	16	32	197.75	170	8	12.5	6	13.75	3
2132.11.050	28000	63	50	36	20	40	247.6	212	10	16	8	17.6	4
2132.11.063	45000	80	63	45	25	50	309	265	12	20	10	22	5

*The maximum permissible load capacity is to be calculated such that two bolts on their own are capable of carrying or turning the tool.