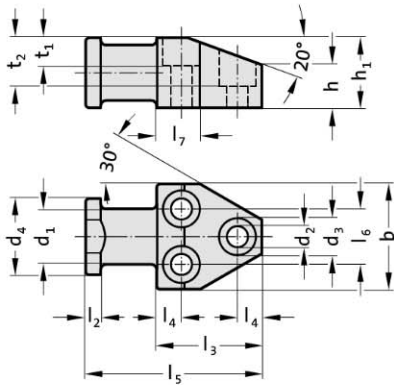




Lifter stud

213.13.



213.13. Lifter stud

Order No	b	d ₁	d ₂	d ₃	d ₄	h	h ₁	l ₂	l ₃	l ₄	l ₅	l ₆	l ₇	t ₁	t ₂	Lifting capacity [kg]
213.13.060	60	32	13.5	20	44	24	40	8	60	14	100	32	24	15	29	2000
213.13.080	80	40	17.5	26	60	32	50	10	70	16	120	44	26	20	35.5	3500
213.13.100	100	50	22	33	70	40	65	12	88	20	145	56	30	25	46.5	6000