



Electro- mechanical transporters



Electro-mechanical transporters General Information

The FIBRO electro-mechanical transporters have been developed to effectively and inexpensively solve the problems of transporting parts and the removal of stamping and cutting residues from presses.

The principle behind the electro-mechanical transporter is the so-called „table cloth effect“. The slow acceleration during the forward stroke pushes the parts or offcuts forwards. The fast return stroke of the guiding system results in a transport movement in only one direction.

Due to its compact design, the FIBRO electro-mechanical transporter is also suitable for applications where only limited space is available. The simple, sturdy and flexible design provides a safe, reliable, efficient and a cost efficient solution.

Basic advantages:

- compact design
- low maintenance
- low noise level (< 70 dB)

Designs:

2299.001 vertical gear position

2299.002 horizontal gear position

2299.011 vertical gear position,
with profile and support

2299.012 horizontal gear position
with profile and support

2299.121 vertical gear position,
with two slides, profile and support

2299.122 horizontal gear position
with two slides, profile and support

2299.221 vertical centre gear position,
two slides, with profile and support

2299.222 horizontal centre gear position,
two slides, with profile and support

Technical data:

Drive: Alternating current (3 phases)
1375 min⁻¹
0.09 kW rated capacity
0.51 A nominal current at 400 V
Weight 4.4 kg
Protection class IP55
(DIN EN 60529)

Delivery stroke:
20 mm

Conveying speed:
approx. 4.5m/min

Stroke frequency:
4 strokes/second

max. guiding system weight (incl. profile):
35 kg

max. bulk weight (guiding system weight,
profile, transport items):
100 kg

Temperature range
(permissible ambient temperature):
-20 to +60 °C

Scope of delivery:

The transporters are supplied without
connection cable.

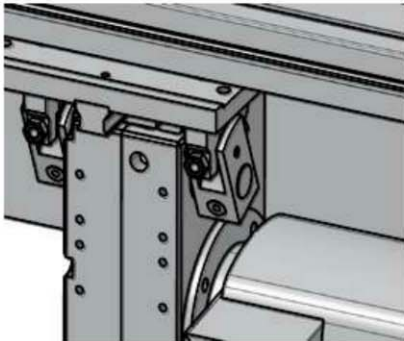
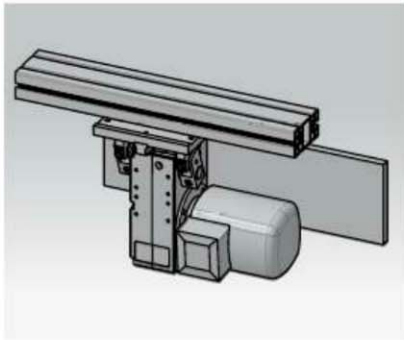
Design data (CAD):

2D + 3D CAD data for various CAD systems as
well as system-neutral interfaces are available
on the internet at:

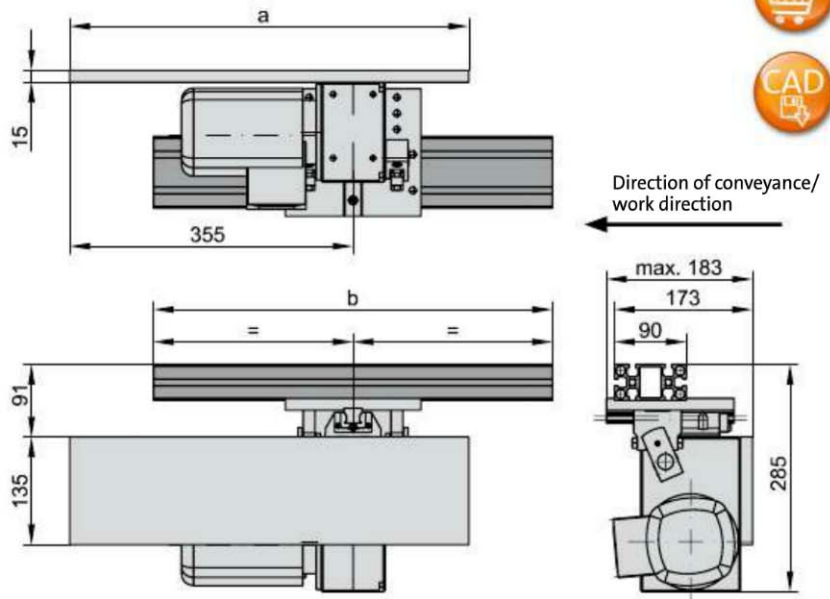
<http://fibro.partserver.de>



Electro-mechanical transporters vertical gear position, with profile and support horizontal gear position, with profile and support



2299.011.

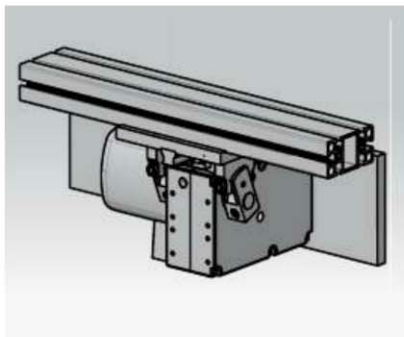


Ordering example:

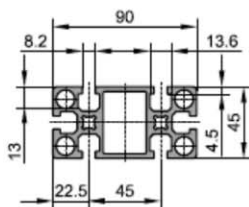
Transporter	= 2299.
Type 011	= 011.
b = 1100 mm	= 1100.
a = 500 mm	= 0500
Order No	= 2299.011.1100.0500

2299.011. vertical gear position, with profile and support

b 500 600 700 800 900 1000 1100 1200

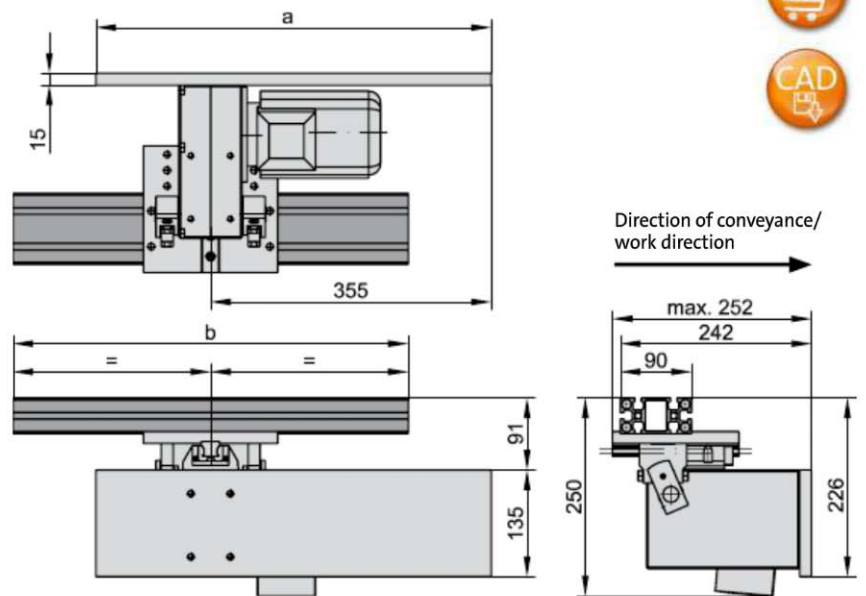


Profile cross-section



Suitable screw for T-slot
2140.30.08.08.□□

2299.012.



Ordering example:

Transporter	= 2299.
Type 012	= 012.
b = 1100 mm	= 1100.
a = 500 mm	= 0500
Order No	= 2299.012.1100.0500

2299.012. horizontal gear position, with profile and support

b 500 600 700 800 900 1000 1100 1200

