



Electro- mechanical transporters



Electro-mechanical transporters General Information

The FIBRO electro-mechanical transporters have been developed to effectively and inexpensively solve the problems of transporting parts and the removal of stamping and cutting residues from presses.

The principle behind the electro-mechanical transporter is the so-called „table cloth effect“. The slow acceleration during the forward stroke pushes the parts or offcuts forwards. The fast return stroke of the guiding system results in a transport movement in only one direction.

Due to its compact design, the FIBRO electro-mechanical transporter is also suitable for applications where only limited space is available. The simple, sturdy and flexible design provides a safe, reliable, efficient and a cost efficient solution.

Basic advantages:

- compact design
- low maintenance
- low noise level (< 70 dB)

Designs:

- 2299.001 vertical gear position
- 2299.002 horizontal gear position
- 2299.011 vertical gear position,
with profile and support
- 2299.012 horizontal gear position
with profile and support
- 2299.121 vertical gear position,
with two slides, profile and support
- 2299.122 horizontal gear position
with two slides, profile and support
- 2299.221 vertical centre gear position,
two slides, with profile and support
- 2299.222 horizontal centre gear position,
two slides, with profile and support

Technical data:

Drive: Alternating current (3 phases)
1375 min⁻¹
0.09 kW rated capacity
0.51 A nominal current at 400 V
Weight 4.4 kg
Protection class IP55
(DIN EN 60529)

Delivery stroke:
20 mm

Conveying speed:
approx. 4.5m/min

Stroke frequency:
4 strokes/second

max. guiding system weight (incl. profile):
35 kg

max. bulk weight (guiding system weight,
profile, transport items):
100 kg

Temperature range
(permissible ambient temperature):
-20 to +60 °C

Scope of delivery:

The transporters are supplied without connection cable.

Design data (CAD):

2D + 3D CAD data for various CAD systems as well as system-neutral interfaces are available on the internet at:

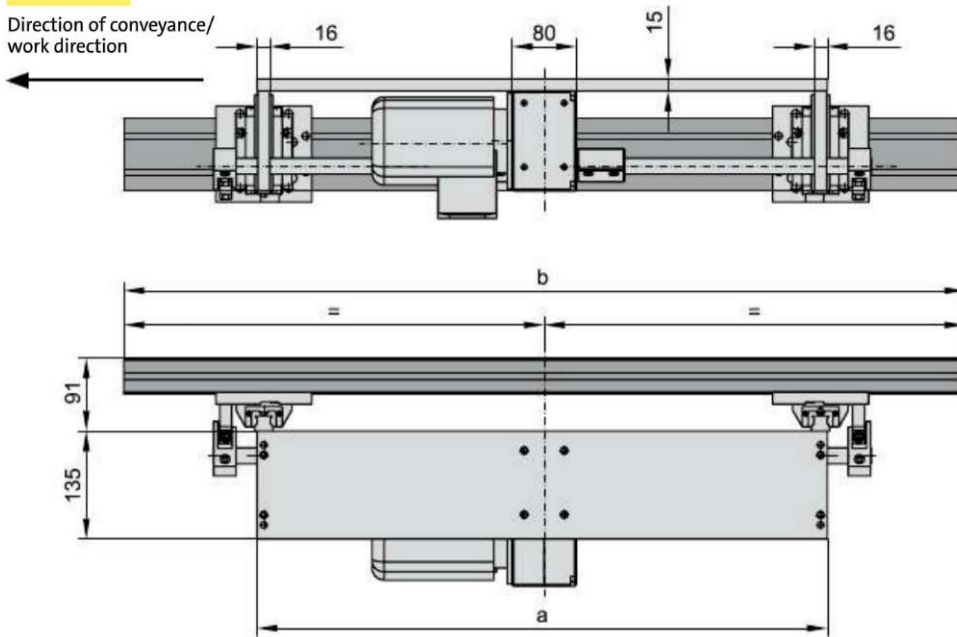
<http://fibro.partserver.de>



Electro-mechanical transporters vertical centre gear position, two slides, with profile and support horizontal centre gear position, two slides, with profile and support

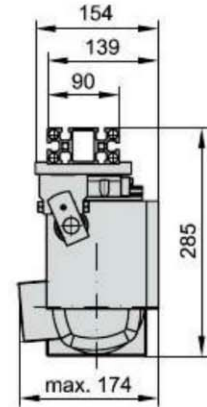
2299.221.

Direction of conveyance/
work direction



Ordering example:

Transporter	= 2299.
Type 221	= 221.
b = 3400 mm	= 3400.
a = 1720 mm	= 1720
Order No	= 2299.221.3400.1720

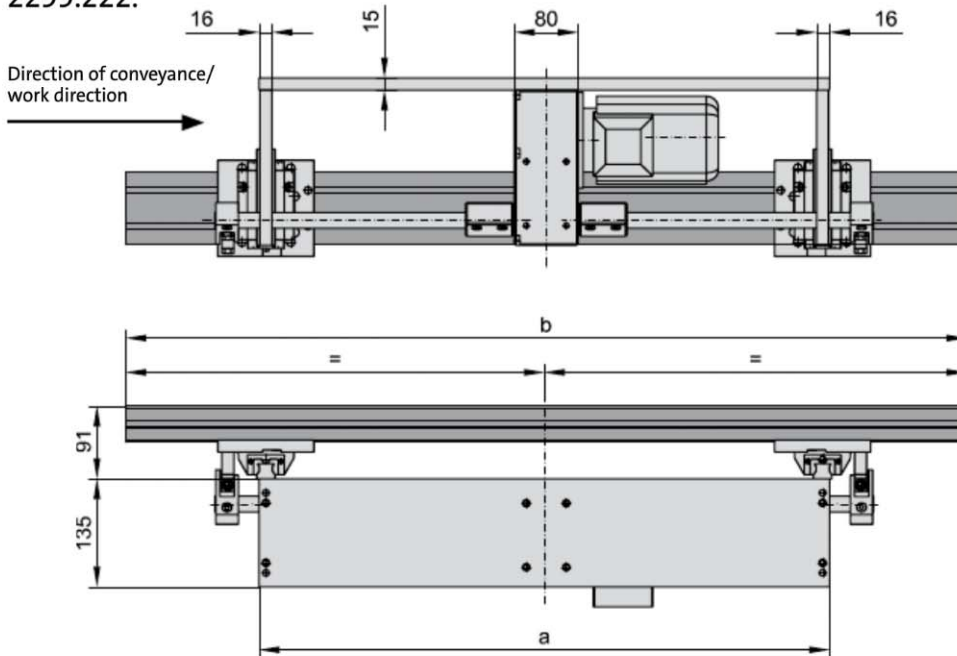


2299.221. vertical centre gear position, two slides, with profile and support

b	3100	3200	3300	3400	3500	3600	3700	3800	3900	4000	4100	4200	4300	4400	4500	4600	4700	4800	4900	5000	
a	●																				
1720	●	●	●	●	●	●	●	●	●	●	●	●	●	●	●	●	●	●	●	●	●
2320	●	●	●	●	●	●	●	●	●	●	●	●	●	●	●	●	●	●	●	●	●
2920	●	●	●	●	●	●	●	●	●	●	●	●	●	●	●	●	●	●	●	●	●

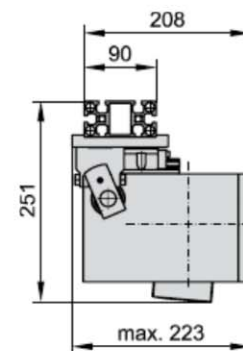
2299.222.

Direction of conveyance/
work direction



Ordering example:

Transporter	= 2299.
Type 222	= 222.
b = 3400 mm	= 3400.
a = 1720 mm	= 1720
Order No	= 2299.222.3400.1720



2299.222. horizontal centre gear position, two slides, with profile and support

b	3100	3200	3300	3400	3500	3600	3700	3800	3900	4000	4100	4200	4300	4400	4500	4600	4700	4800	4900	5000	
a	●																				
1720	●	●	●	●	●	●	●	●	●	●	●	●	●	●	●	●	●	●	●	●	●
2320	●	●	●	●	●	●	●	●	●	●	●	●	●	●	●	●	●	●	●	●	●
2920	●	●	●	●	●	●	●	●	●	●	●	●	●	●	●	●	●	●	●	●	●