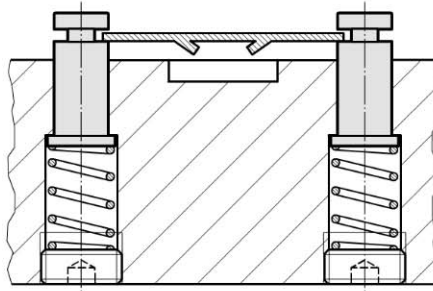
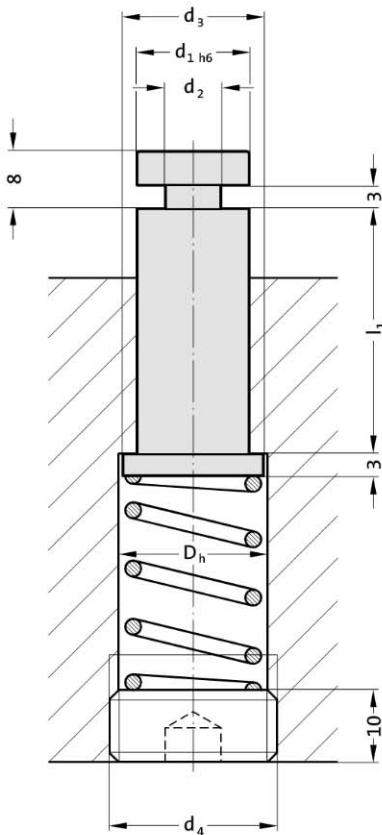




Lifter pin for press tool strips

244.00.2.**Mounting example****Description:**

Combination progression dies with certain forming stages can be equipped advantageously with springloaded lifter pins. FIBRO Lifter Pins **244.00.2.**, available in four sizes, can be used to assume the double function of lifting and guiding the strip. The amount of lift is a function of the counterbore-depth.

Material:

1.7131, case-hardened

Execution:

ground

Note:

For ordering code of screw plug 241.00.1. and helical spring see spring range on pages chapter F.

244.00.2. Lifter pin for press tool strips

d_1	8	10	13	16
d_2	5	6	7	8
d_3	10	12	16	20
D_h	10.5	12.5	16.5	20.5
d_4	M12x1.5	M14x1.5	M18x1.5	M22x1.5
l_1				
20	●			
25	●	●		
32	●	●	●	
40	●	●	●	●
50		●	●	●

Ordering Code (example):

Lifter pin for press tool strips	= 244.00.2.
Guide diameter d_1	13 mm = 13.
Guide length l_1	25 mm = 025
Order No	= 244.00.2.13.025