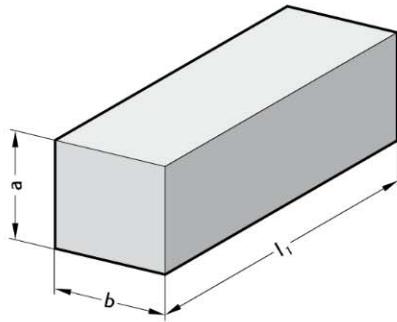




FIBROFLEX®-Square rod

252.



Execution:

FIBROFLEX® is available in 3 Shore hardnesses:
 .5.=80 Shore A = colour: Green
 .6.=90 Shore A = colour: Yellow
 .7.=95 Shore A = colour: Red
 Further technical data at the beginning of Chapter G.

Note:

1) Dimension b machined

Ordering Code (example):

FIBROFLEX®-Square rod	=252.
Spring rate MAT	80 Shore A = 5.
Height a	20 mm = 020.
Width b	50 mm = 050.
Length l ₁	1000 mm = 1000
Order No	=252.5.020.050.1000

252. FIBROFLEX®-Square rod

a	b		l ₁	250	500	1000	a	b		l ₁	250	500	1000
8	8	1)				●	22	22			●		●
8	15	1)				●	25	25	1)				●
8	25	1)				●	25	40	1)				●
8	50	1)				●	25	60	1)				●
10	10	1)				●	25	80	1)				●
10	15	1)				●	30	30		●			●
10	25	1)				●	40	40	1)		●		●
10	50	1)				●	40	60		●	●		●
12	12	1)				●	45	45		●		●	●
12	20	1)				●	50	50		●		●	●
12	30	1)				●	50	180		●		●	●
12	50	1)				●	60	60		●		●	●
15	15			●	●	●	60	80		●		●	●
15	25	1)				●	80	80		●		●	●
15	40	1)				●	80	100		●		●	●
15	50	1)				●	100	100		●		●	●
20	20	1)				●	100	125		●		●	●
20	30	1)				●	100	180		●		●	●
20	40	1)				●	125	125		●		●	●
20	50	1)				●							