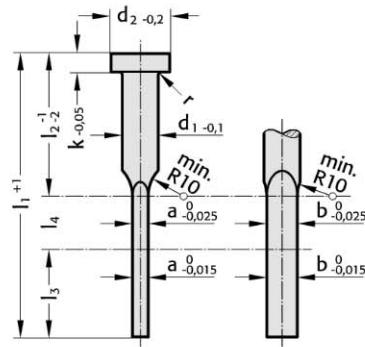


Flat ejector pin, hardened, similar to DIN ISO 8693



263.1.



Material:

WS
 Order No **263.1.**
 Hardness:
 Shaft 60 ± 2 HRC
 Head 45 ± 5 HRC

Description of FIBRO materials for tool and die components see at the beginning of Chapter E.

Execution:

Shank hardened and precision ground.
 Head hot upset-forged.

Note:

Special dimensions a and b available on request.

263.1. Flat ejector pin, hardened, similar to DIN ISO 8693

d_1	4	4.2	4.2	4.2	5	5	5	6	6	6	6	8	8	8	10	10	12	12
d_2	8	8	8	8	10	10	10	12	12	12	12	14	14	14	16	16	18	18
k	3	3	3	3	3	3	3	5	5	5	5	5	5	5	5	5	7	7
r	0.3	0.3	0.3	0.3	0.3	0.3	0.3	0.5	0.5	0.5	0.5	0.5	0.5	0.5	0.5	0.5	0.8	0.8
a	1	0.8	1	1.2	1	1.2	1.5	1	1.2	1.5	2	1.2	1.5	2	1.5	2	2	2.5
b	3.5	3.8	3.8	3.8	4.5	4.5	4.5	5.5	5.5	5.5	5.5	7.5	7.5	7.5	9.5	9.5	11.5	11.5
l_1	63	80	100	125	160	200	250	315										
l_2	30	40	50	60	80	100	125	160	200	250	315							
l_3	25	30	40	50	60	80	100	125	160	200	250	315						
l_4	10	10	10	15	30	40	65	85										

Ordering Code (example):

Flat ejector pin, hardened, similar to DIN ISO 8693	=	263.1.
Width a	1.5 mm =	15.
Length b	5.5 mm =	055.
Length l_1	100 mm =	100
Order No	=	263.1. 15. 055.100