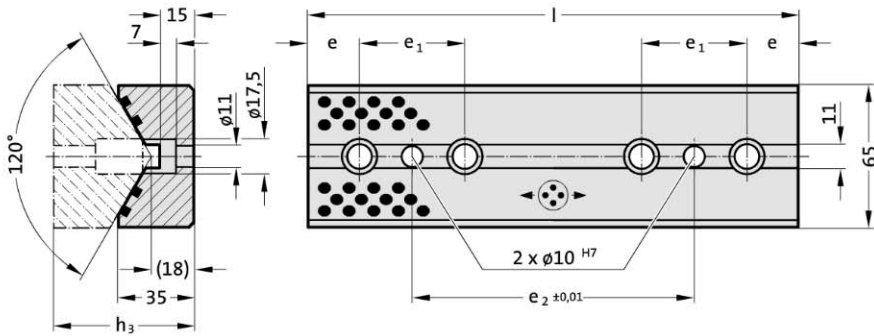


Prismatic guide, Bronze with solid lubricant
Sliding block, Steel

2963.70.



2963.70. Prismatic guide, Bronze with solid lubricant

| Order No | e | e ₁ | e ₂ | h ₃ | l | Number of screw holes |
|----------------------|----|----------------|----------------|----------------|-----|-----------------------|
| 2963.70.065.035.0100 | 20 | 60 | 20 | 65 | 100 | 2 |
| 2963.70.065.035.0150 | 25 | 50 | 50 | 65 | 150 | 3 |
| 2963.70.065.035.0200 | 25 | 50 | 100 | 65 | 200 | 4 |
| 2963.70.065.035.0250 | 25 | 50 | 150 | 65 | 250 | 5 |
| 2963.70.065.035.0300 | 25 | 50 | 200 | 65 | 300 | 6 |

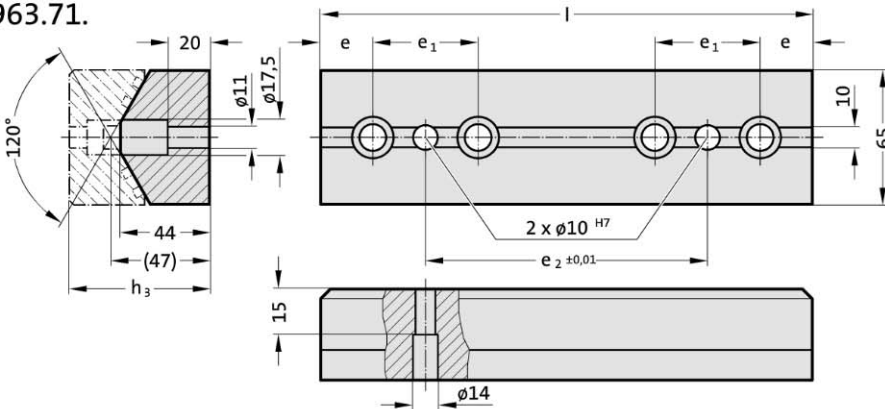
Material:
Bronze with solid lubricant,
oilless lubricating

Note:
Screws and pins not included.

Fixing:
Use socket cap screws
DIN EN ISO 4762 M10.



2963.71.



2963.71. Sliding block, Steel

| Order No | e | e ₁ | e ₂ | h ₃ | l | Number of screw holes |
|----------------------|----|----------------|----------------|----------------|-----|-----------------------|
| 2963.71.065.044.0100 | 20 | 60 | 20 | 65 | 100 | 2 |
| 2963.71.065.044.0150 | 25 | 50 | 50 | 65 | 150 | 3 |
| 2963.71.065.044.0200 | 25 | 50 | 100 | 65 | 200 | 4 |
| 2963.71.065.044.0250 | 25 | 50 | 150 | 65 | 250 | 5 |
| 2963.71.065.044.0300 | 25 | 50 | 200 | 65 | 300 | 6 |

Material:
Steel, sliding faces surface
hardened

Note:
Screws and pins are not included.

Fixing:
Use socket cap screws
DIN EN ISO 4762 M10.

