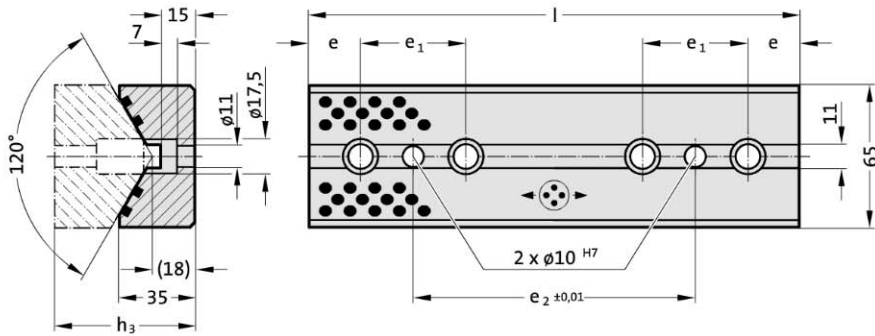


Prismatic guide, Bronze with solid lubricant  
Sliding block, Steel

2963.70.



2963.70. Prismatic guide, Bronze with solid lubricant

Order No	e	e <sub>1</sub>	e <sub>2</sub>	h <sub>3</sub>	l	Number of screw holes
2963.70.065.035.0100	20	60	20	65	100	2
2963.70.065.035.0150	25	50	50	65	150	3
2963.70.065.035.0200	25	50	100	65	200	4
2963.70.065.035.0250	25	50	150	65	250	5
2963.70.065.035.0300	25	50	200	65	300	6

**Material:**

Bronze with solid lubricant, oilless lubricating

**Note:**

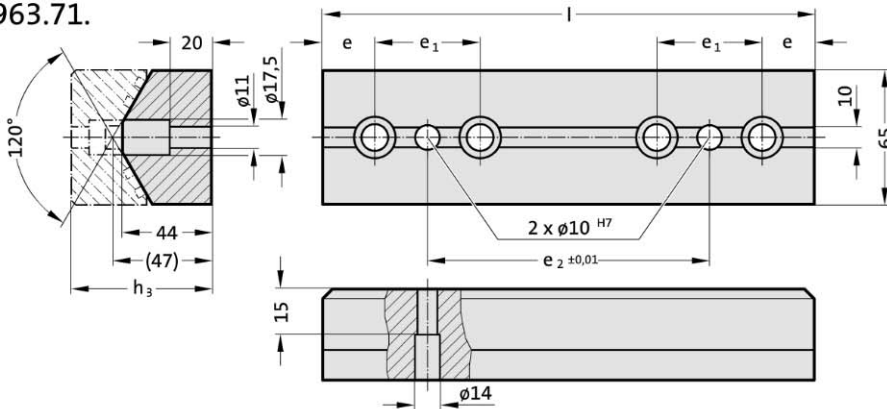
Screws and pins not included.

**Fixing:**

Use socket cap screws  
DIN EN ISO 4762 M10.



2963.71.



2963.71. Sliding block, Steel

Order No	e	e <sub>1</sub>	e <sub>2</sub>	h <sub>3</sub>	l	Number of screw holes
2963.71.065.044.0100	20	60	20	65	100	2
2963.71.065.044.0150	25	50	50	65	150	3
2963.71.065.044.0200	25	50	100	65	200	4
2963.71.065.044.0250	25	50	150	65	250	5
2963.71.065.044.0300	25	50	200	65	300	6

**Material:**

Steel, sliding faces surface hardened

**Note:**

Screws and pins are not included.

**Fixing:**

Use socket cap screws  
DIN EN ISO 4762 M10.

