

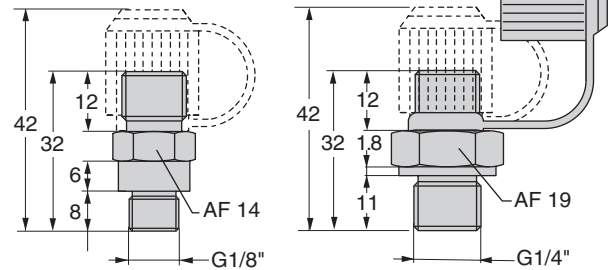
EZ Hose Adapters

EZ Hose Adapters

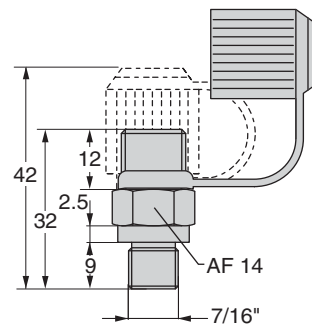
Hose adapters are available with three different connecting threads: G 1/8", G 1/4" or 7/16". The adapter with G 1/4" thread fits most control blocks.

The version without the non-return valve (4114973-G 1/8) is recommended for gas springs. When fitting the adapter with a non-return valve directly to a gas spring, there is a risk that the valve will not open properly if a poor hose connection is made, thus preventing the gas spring from being discharged.

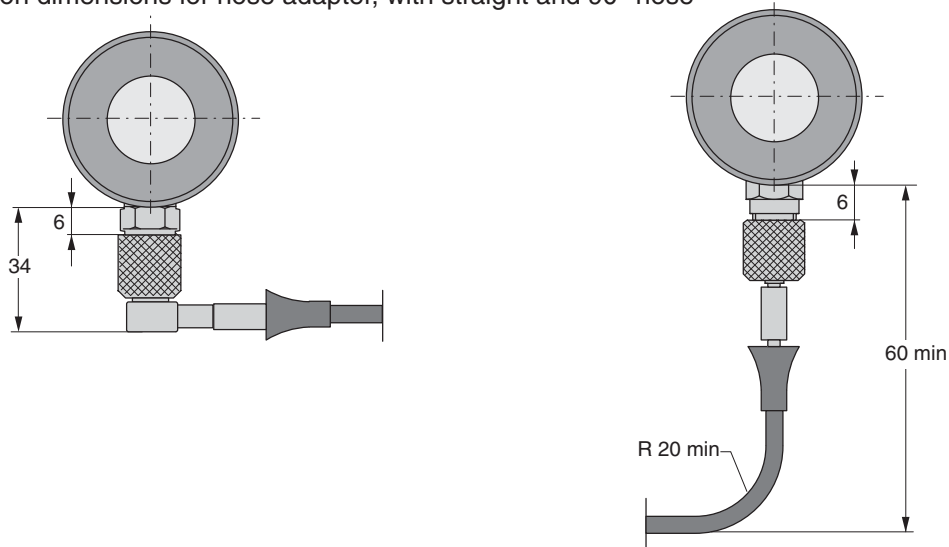
Order No. 4114973-G1/8 (without non-return valve)
Order No. 4014973-G1/4 (with non-return valve)



Order No. 4114973-7/16 (without non-return valve)

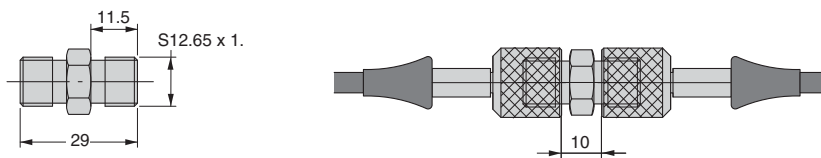


Installation dimensions for hose adapter, with straight and 90° hose

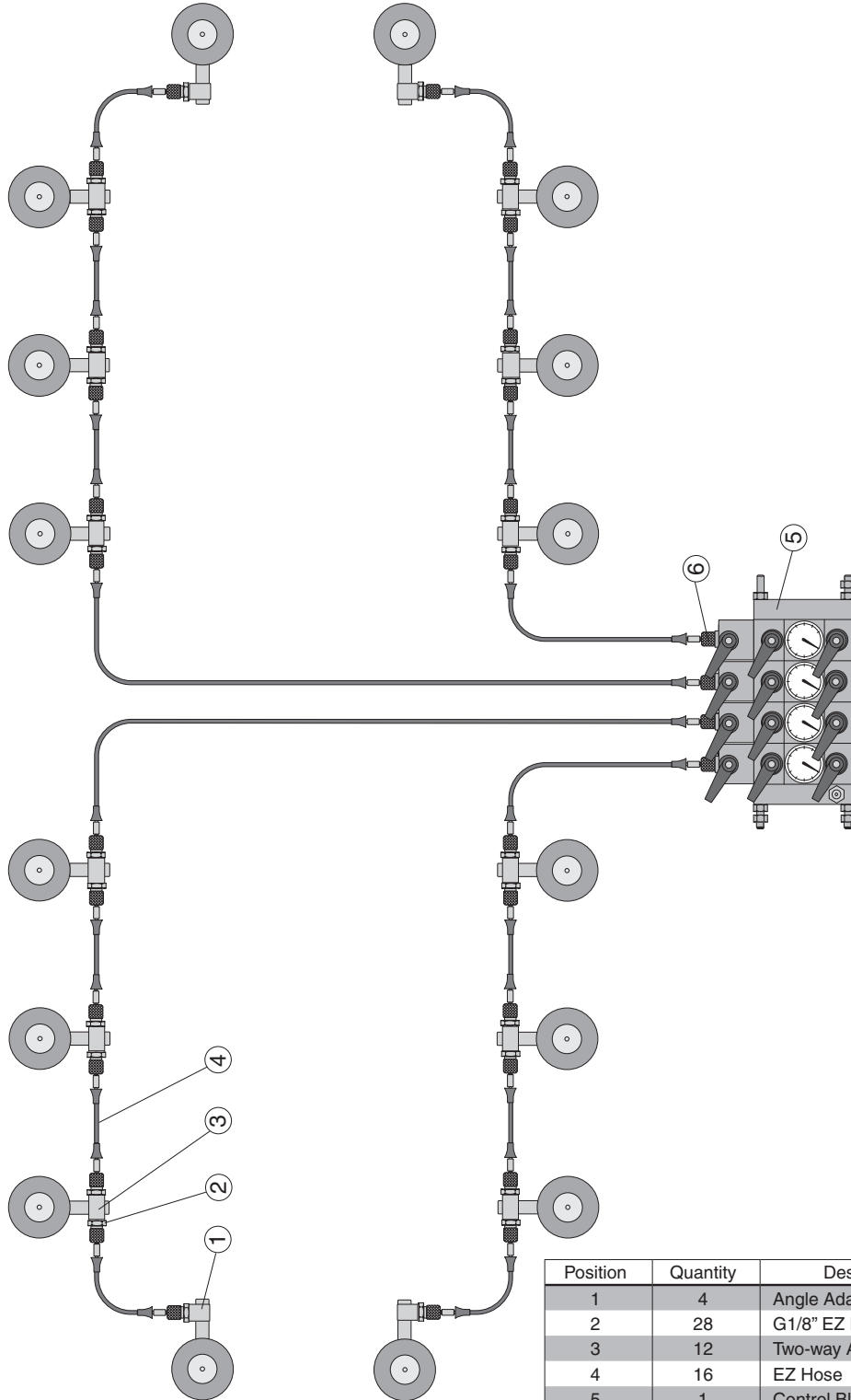


Joining Coupling

Coupling for joining of EZ Hoses, Order No. 503674.



Installation Examples, EZ Hose system



Position	Quantity	Description	Order No
1	4	Angle Adapter	4016050-xx
2	28	G1/8" EZ Hose Adapter	4114973-G1/8
3	12	Two-way Adapter	4016051-xx
4	16	EZ Hose	4014974-xxxx
5	1	Control Block	2014839-04
6	4	G1/4" EZ Hose Adapter	4014973-G1/4