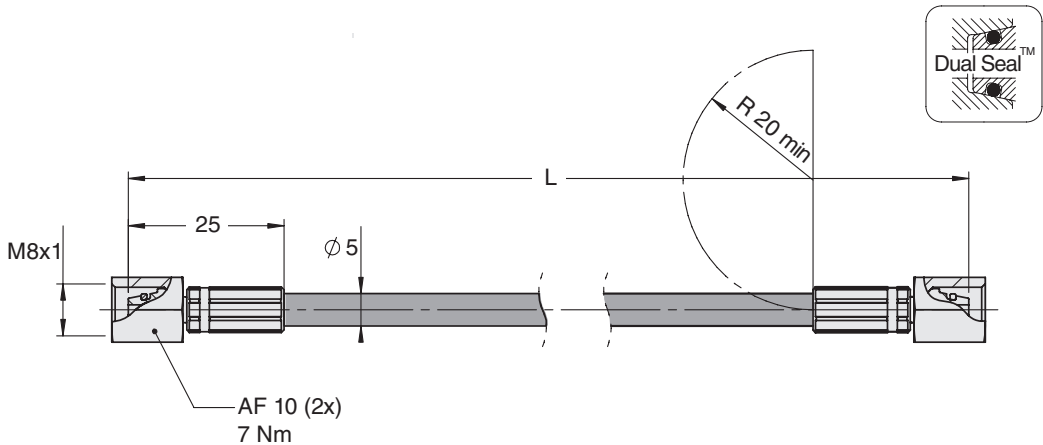


Micro EO24™ Hose

The Micro EO24™ Hose is a Dual Seal System and our most compact hose system available and takes full benefit of the two integrated metal and soft sealing systems. This ensures double leak proof joints as well as rotational protection.

The Hose System shares the same adapters and connectors as the Micro EO24™ Tube System, resulting in a wide range of flexible installation possibilities.

G1/8" and G1/4" ports can also be connected to the Micro EO24™ with the use of an appropriate adapter. A number of different standard hose lengths are available (see table below). Custom hose lengths can also be ordered **from 100 mm upwards**. Subsequent numbers are added to the order number according to the length required, e.g. hose length 2,500 mm = Order No. 4023500-2500.



Micro/EZ Hose Clip, **Order No. 502646**
(Can be used to secure hoses using an M5 screw)

Order No	L (mm)*
4023500-0100	100
4023500-0200	200
4023500-0300	300
4023500-0400	400
4023500-0630	630
4023500-0800	800
4023500-1000	1000
4023500-1500	1500
4023500-2000	2000
4023500-XXXX	XXXX**

**For customer specified lengths.

* Minimum recommended L = 75 mm

Basic Information

Material	Polyamide, black
Dimension	Ø 5 mm exterior (5/64)
Volume	3 ml/metre
Outer casing	Perforated
Min. bend radius	20 mm
Max dynamic working pressure	475 bar
Min. burst pressure	1900 bar at +20° C
Operating temperature	-20 - +80°C