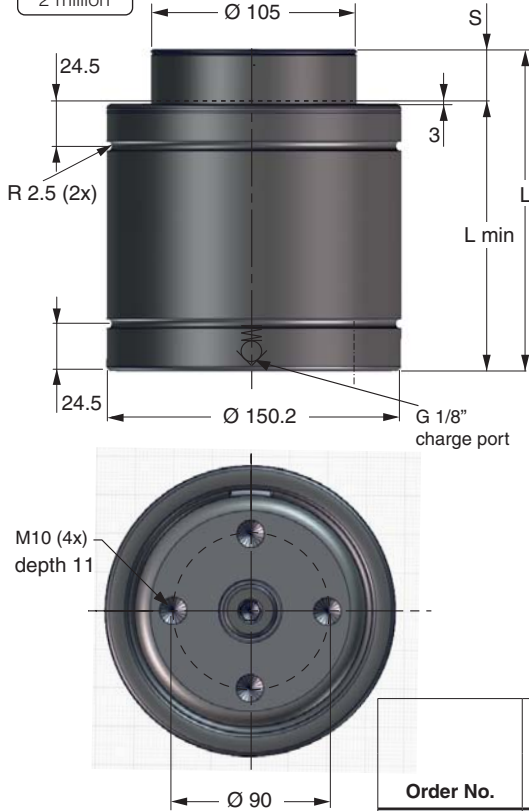


CU4 18300



The CU4 gas spring is a very compact Bore Sealed gas spring with impressive force in a compact body. The maximum frequency for the spring is 100 strokes/minute.

Springs with stroke lengths over 25 mm should always be attached to the tool, using a flange or the tapped holes in the bottom of the spring. We also recommend fixing of shorter stroke springs for optimal service life.

As an option, the CU4 spring can be delivered with a Side Port plate (SP) for applications where a sideport is needed (e.g., for use in hose systems).

Order No.	S stroke	Force in N at 150 bar/+20°C		Force in lbf at 150 bar/+20°C		L ±0.25	L min.	Gas vol. (l)	Weight (kg)
		Initial	End force**	Initial	End force**				
CU4 18300-010	10		227,000		51,000	110	100	0.56	8.78
CU4 18300-016	16		233,000		52,400	136	120	0.84	9.72
CU4 18300-025	25		244,000		54,900	165	140	1.13	10.71
CU4 18300-032	32*	183,000	244,000	41,140	54,900	197	165	1.45	11.88
CU4 18300-040	40*					235	195	1.86	13.28
CU4 18300-050	50*					270	220	2.19	14.50
CU4 18300-065	65*					323	258	2.90	16.30

* Should always be attached to the tool using the tapped holes in the bottom or a flange
 ** at full stroke

Basic Information

- For general information see "About gas springs", 2.1
- Pressure medium..... Nitrogen
- Max. charging pressure..... 150 bar (at 20°C)
- Min. charging pressure..... 25 bar (at 20°C)
- Operating temperature 0 to +80°C
- Force increase by temperature ±0.3%/°C
- Recommended max strokes/min ... ~80 to 100 (at 20° C)
- Max piston rod velocity 0.8 m/s
- Rod surface..... Nitrided
- Tube surface Nitrided
- Repair kit CU4 18300 3024841
- Repair kit CU 18300 2014493-1830
- Available until 12.31.2015

Mounting Possibilities

