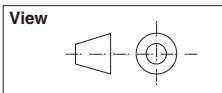
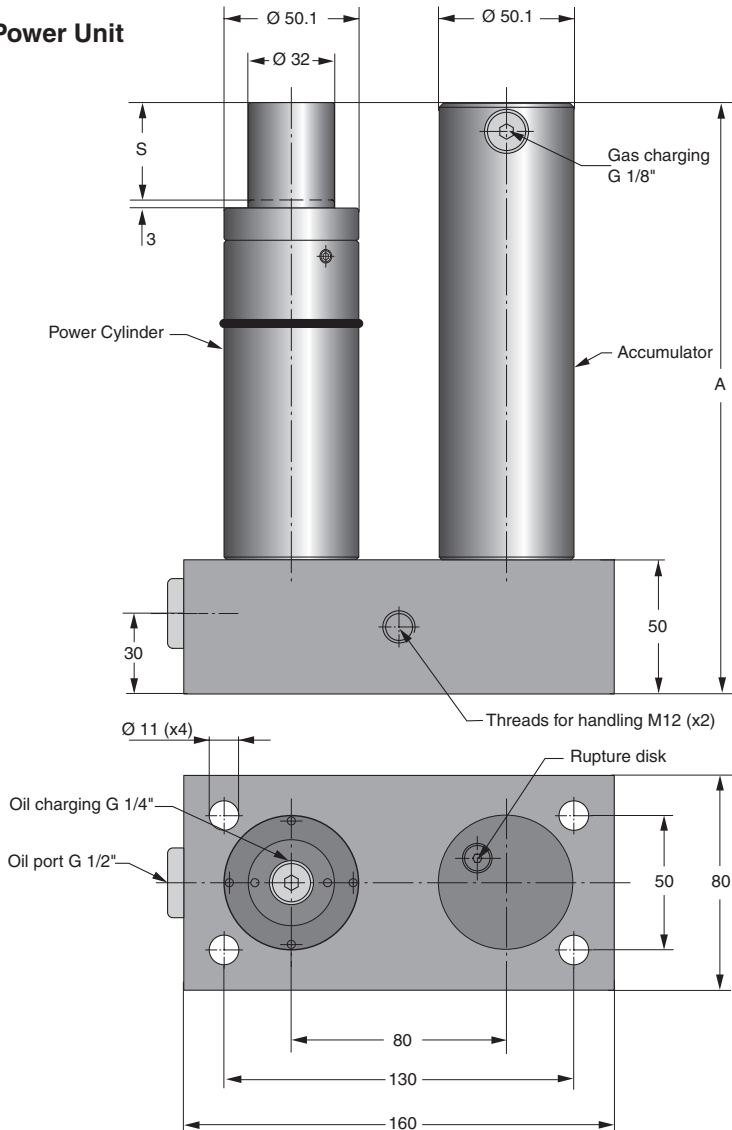




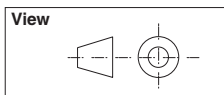
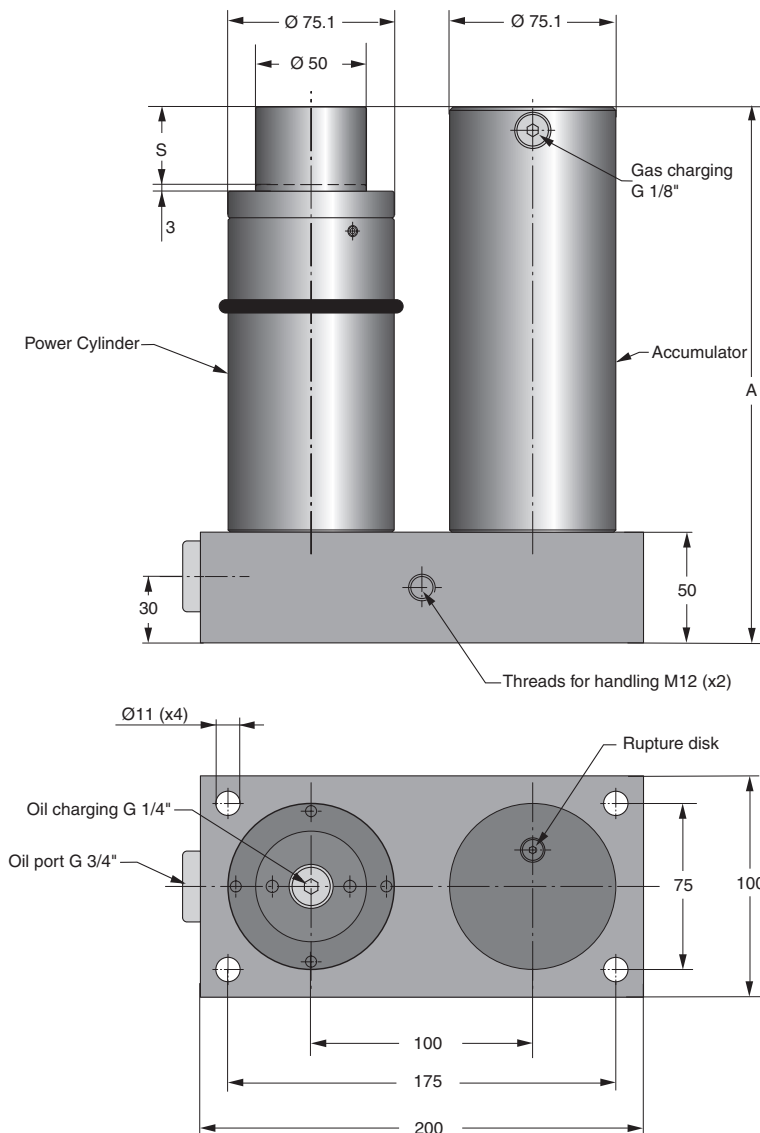
Power and Cam Units/ Force Cylinder

HCP 015 Power Unit



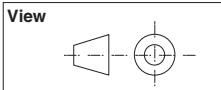
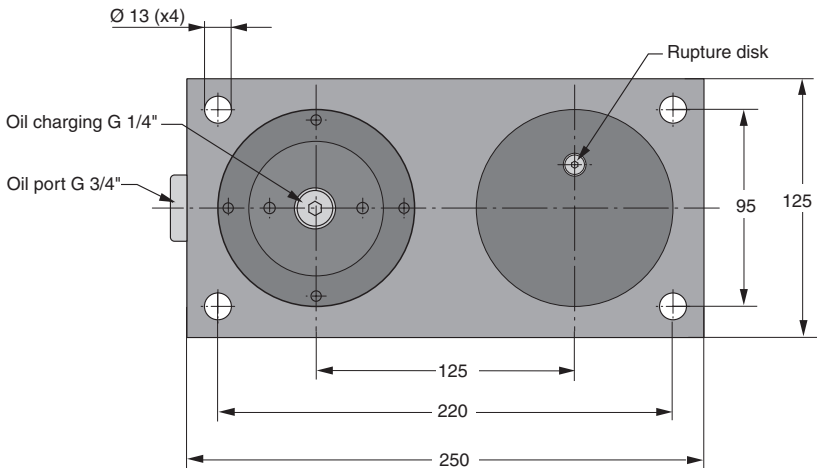
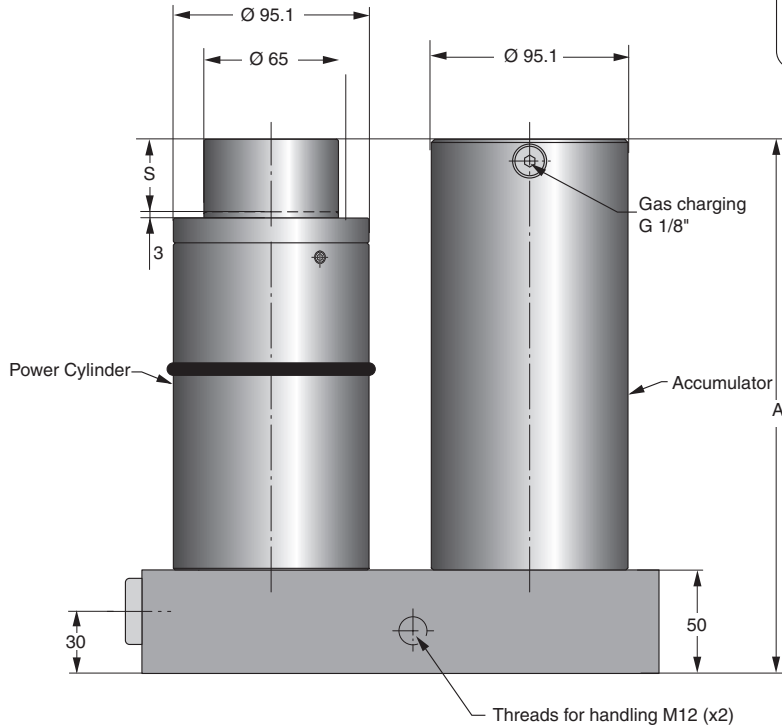
Order No.	Force (kN)	Stroke S (mm)	A	Weight (kg)
HCP 015-035	15	35	220	8.2
HCP 015-060	15	60	270	9.1
HCP 015-110	15	110	370	10.5
HCP 015-160	15	160	470	11.3

HCP 040 Power Unit



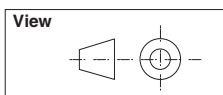
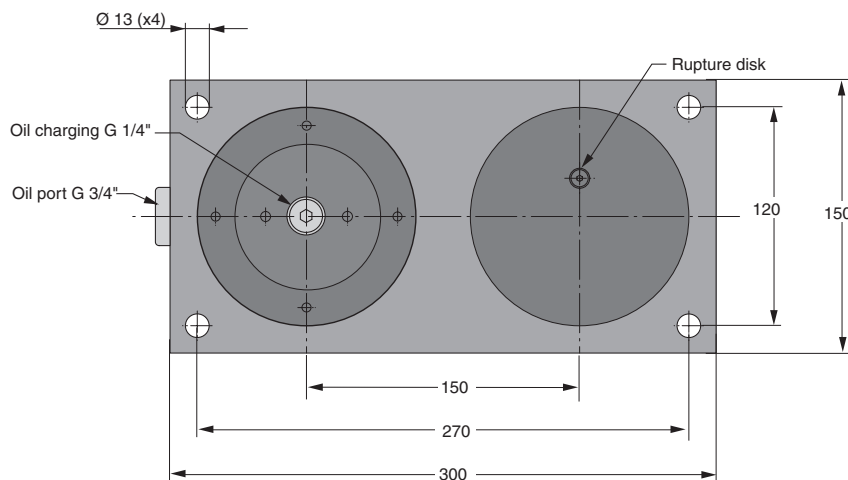
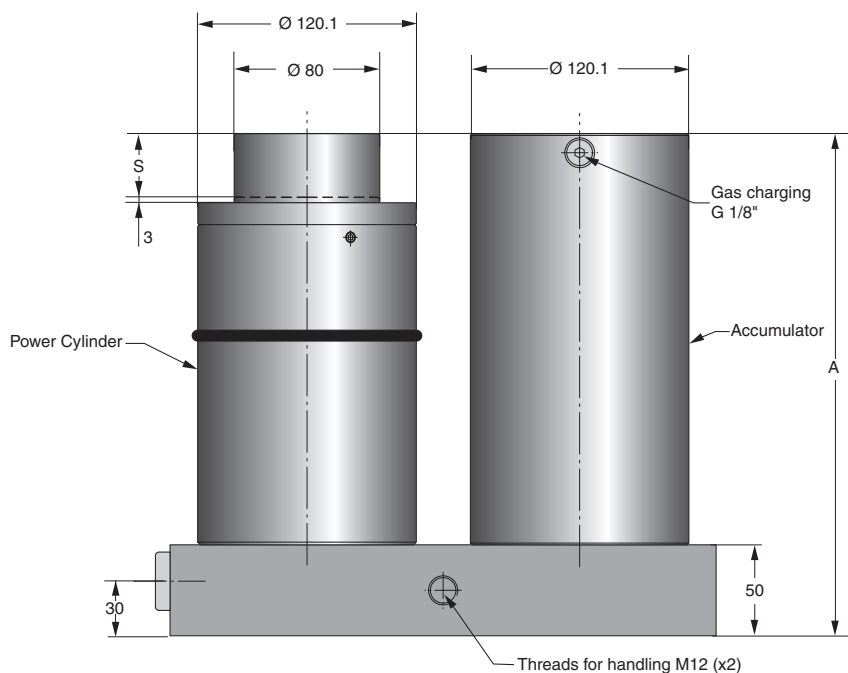
Order No.	Force (kN)	Stroke S (mm)	A	Weight (kg)
HCP 040-035	40	35	242	15.7
HCP 040-060	40	60	292	16.8
HCP 040-110	40	110	392	19.1
HCP 040-160	40	160	492	21.3

HCP 060 Power Unit



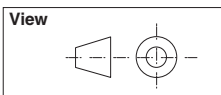
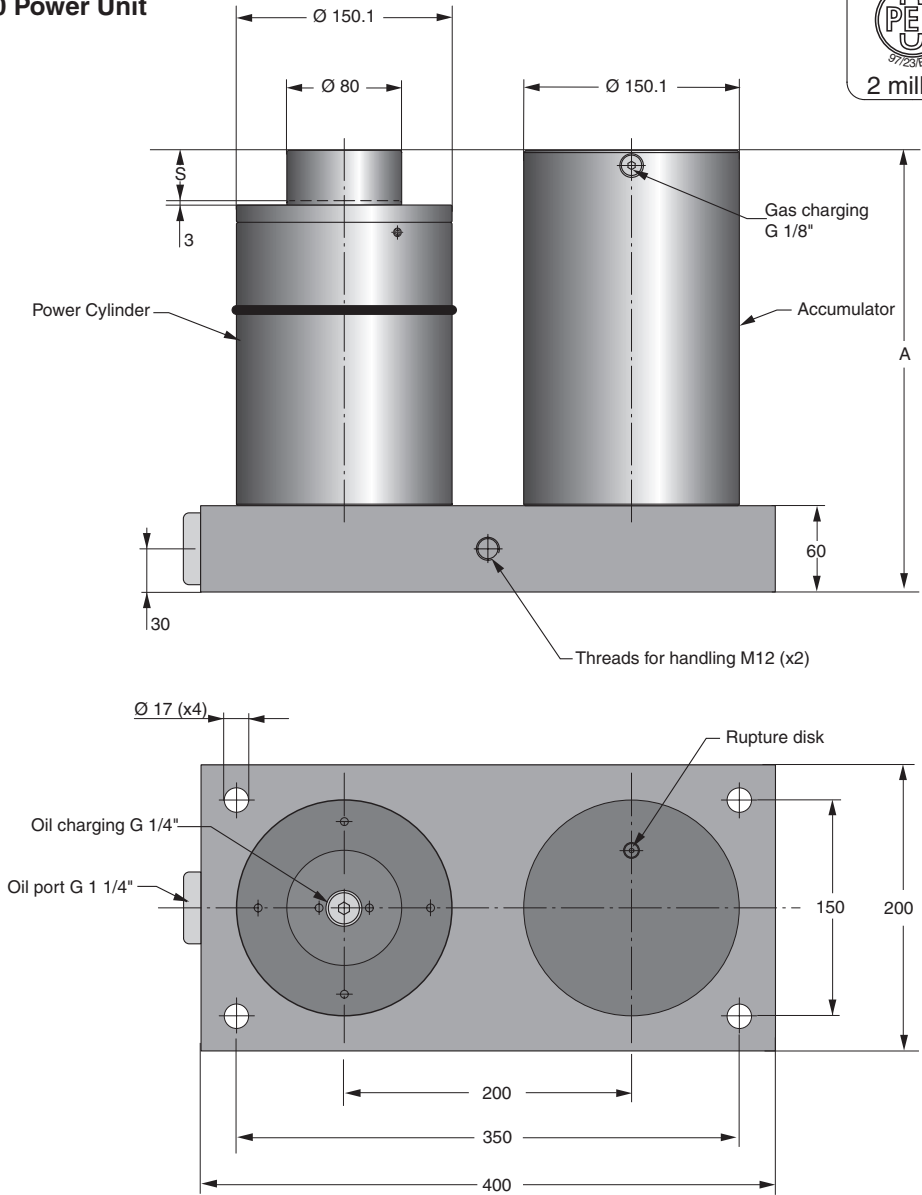
Order No.	Force (kN)	Stroke S (mm)	A	Weight (kg)
HCP 060-035	60	35	258	26.7
HCP 060-060	60	60	308	28.4
HCP 060-110	60	110	408	32.2
HCP 060-160	60	160	508	35.9

HCP 090 Power Unit



Order No.	Force (kN)	Stroke S (mm)	A	Weight (kg)
HCP 090-035	90	35	276	43.1
HCP 090-060	90	60	326	46.1
HCP 090-110	90	110	426	52.1
HCP 090-160	90	160	526	52.8

HCP 150 Power Unit



Order No.	Force (kN)	Stroke (mm)	A	Weight (kg)
HCP 150-035	150	35	307	83.1
HCP 150-060	150	60	357	87.7
HCP 150-110	150	110	457	97.0
HCP 150-160	150	160	557	106.3