

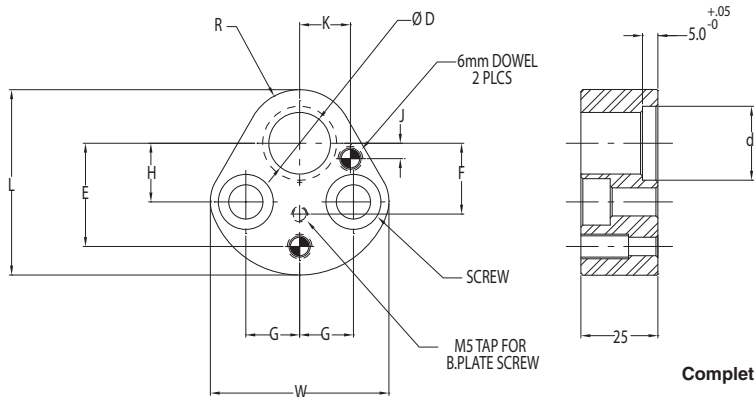
SHOULDER PUNCH RETAINERS



TRUE SET

MRN STYLE

For Round Punches



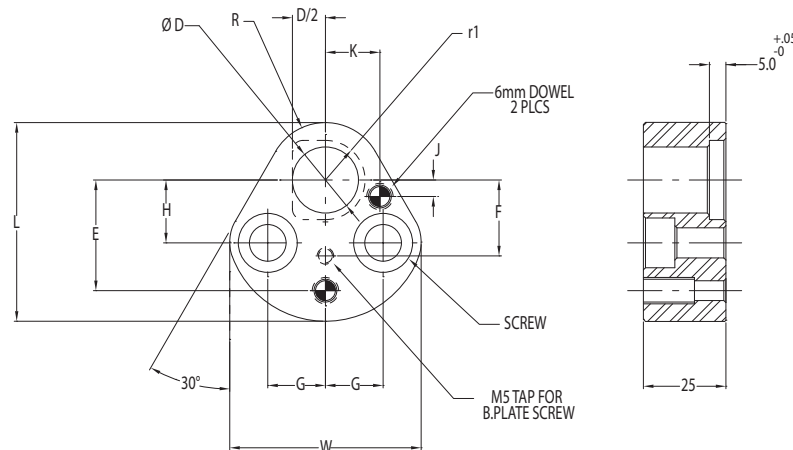
FOR ACCESSORIES AND BACKING PLATES
SEE PAGES 51-52, 62.

Complete design & CAD files visit WWW.MOELLERMCAD.COM

CATALOG NUMBER	D	d1	L	W	R	H	±.01 J	±.01 K	G	±.01 E	F	SCREW SIZE
MRN 10	10	14.0	44.5	39.9	9.5	19.05	7.50	9.00	11.12	26.924	16.00	M8
MRN 13	13	17.0	50.8	48.3	12.7	19.05	6.50	12.00	14.27	29.972	16.00	M8
MRN 16	16	20.0	54.0	51.6	14.3	19.05	6.00	13.50	15.87	31.750	16.00	M8
MRN 20	20	24.0	60.3	58.2	17.5	19.05	5.00	16.50	17.47	33.528	23.00	M10
MRN 25	25	29.0	69.9	66.5	22.2	23.82	7.00	22.00	19.84	40.640	30.00	M12
MRN 32	32	36.0	69.9	66.5	22.2	23.82	7.00	22.00	19.84	40.640	30.00	M12

MRO STYLE

For Shaped Punches



Complete design & CAD files visit WWW.MOELLERMCAD.COM

CATALOG NUMBER	D	r1	L	W	R	H	±.01 J	±.01 K	G	±.01 E	F	SCREW SIZE
MRO 10	10	7.0	44.5	39.9	9.5	19.05	7.50	9.00	11.12	26.924	16.00	M8
MRO 13	13	8.5	50.8	48.3	12.7	19.05	6.50	12.00	14.27	29.972	16.00	M8
MRO 16	16	10.0	54.0	51.6	14.3	19.05	6.00	13.50	15.87	31.750	16.00	M8
MRO 20	20	12.0	60.3	58.2	17.5	19.05	5.00	16.50	17.47	33.528	23.00	M10
MRO 25	25	14.5	69.9	66.5	22.2	23.82	7.00	22.00	19.84	40.640	30.00	M12
MRO 32	32	18.0	69.9	66.5	22.2	23.82	7.00	22.00	19.84	40.640	30.00	M12