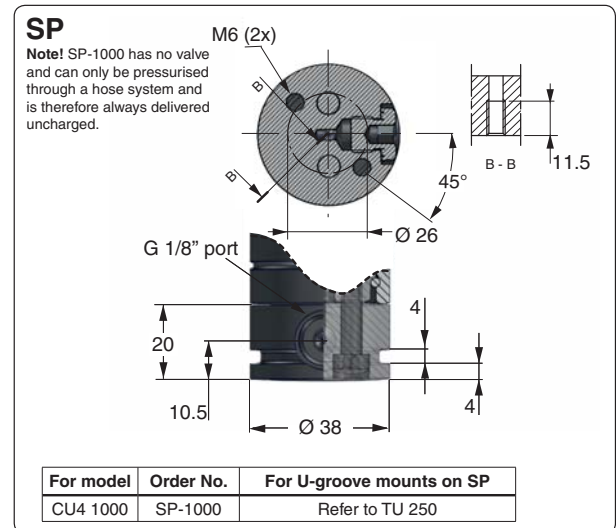
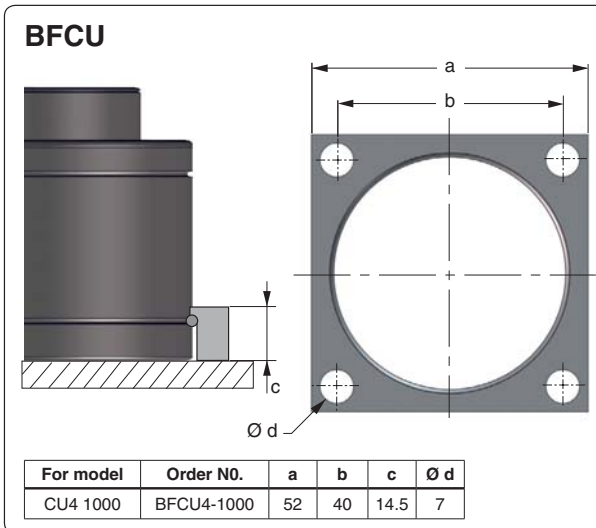
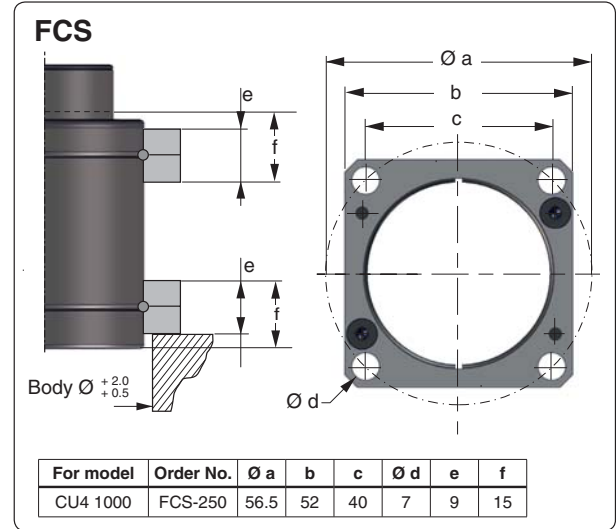
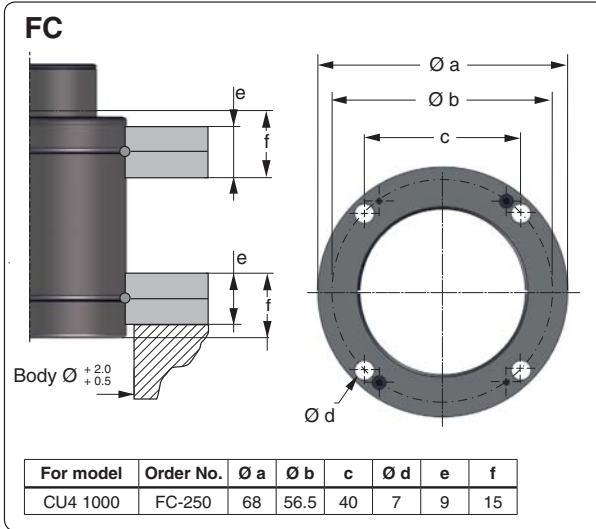
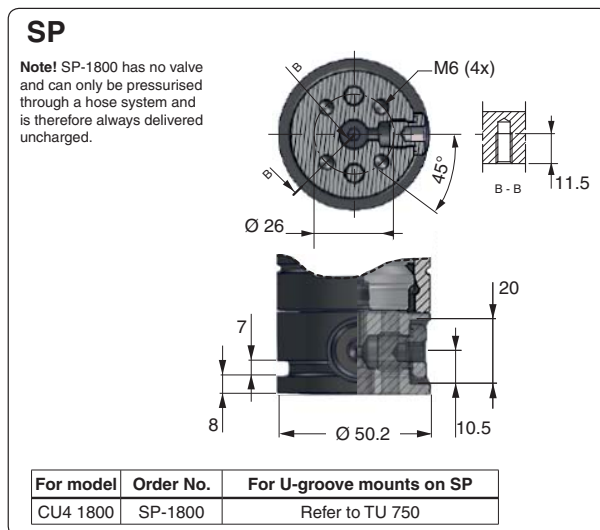
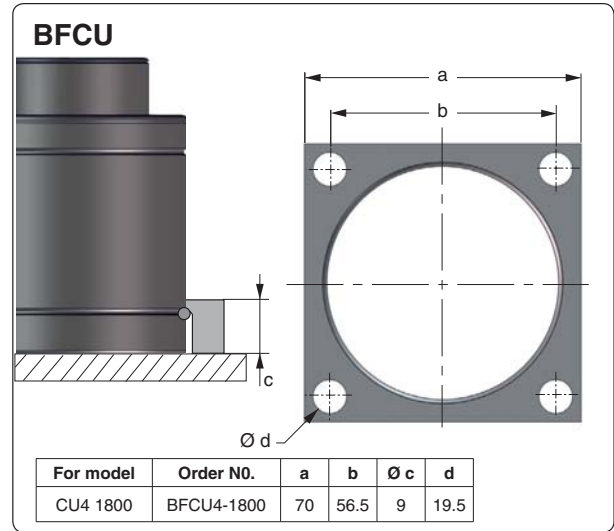
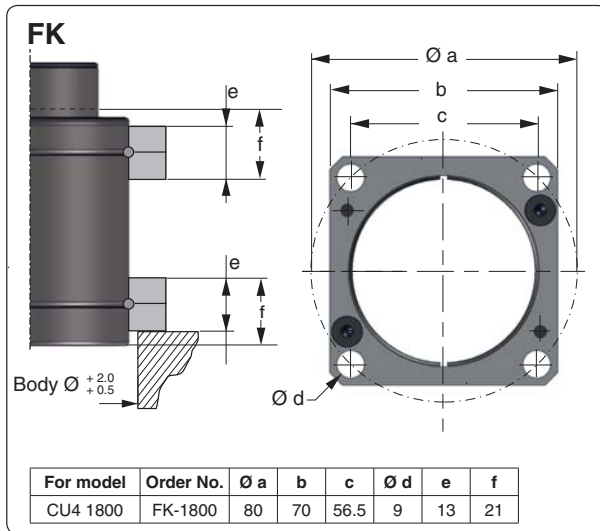


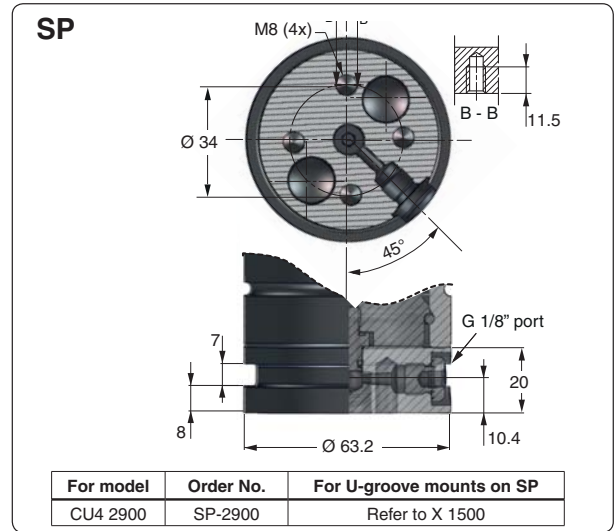
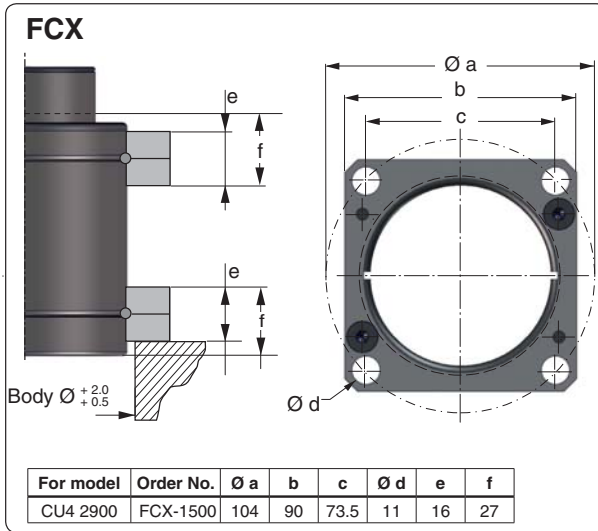
CU4 1000 Mounts



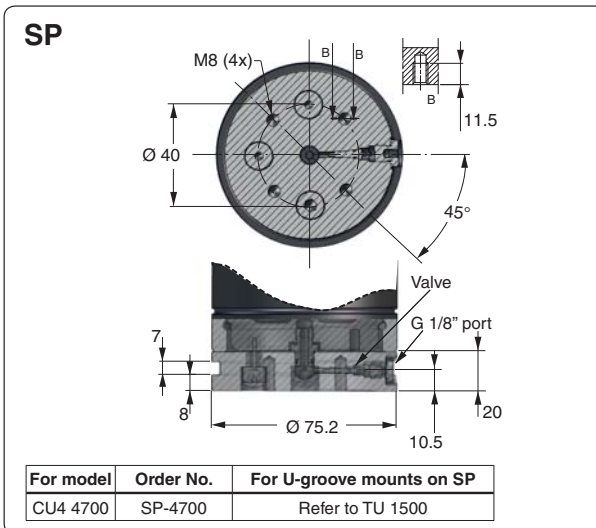
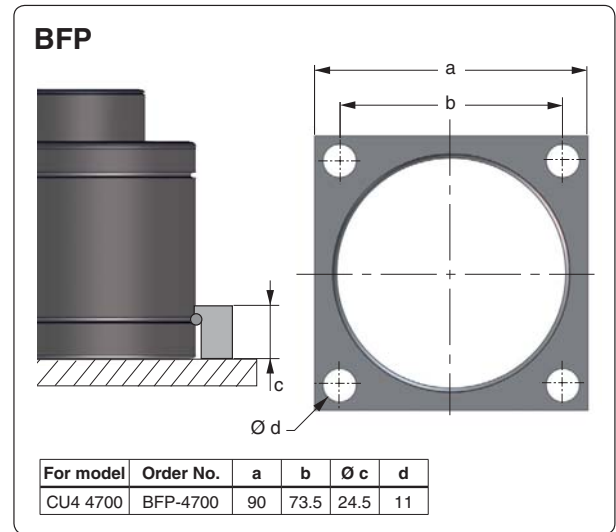
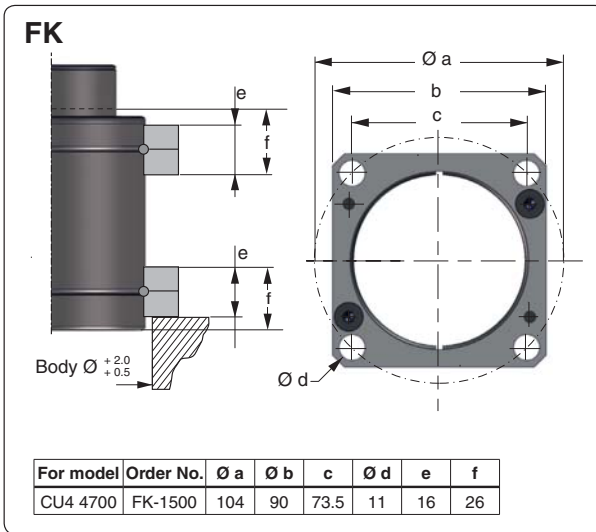
CU4 1800 Mounts



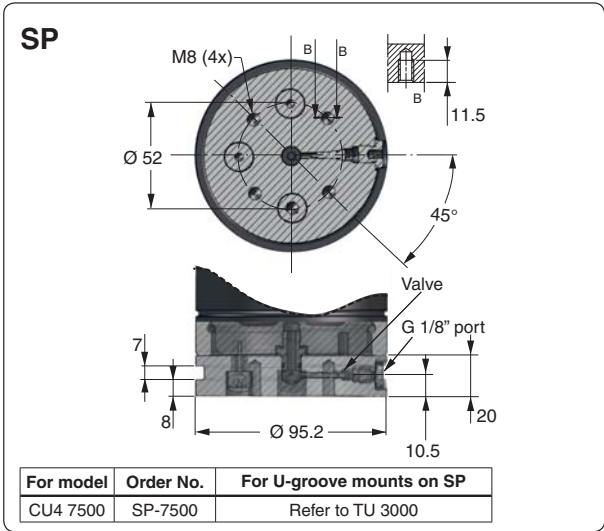
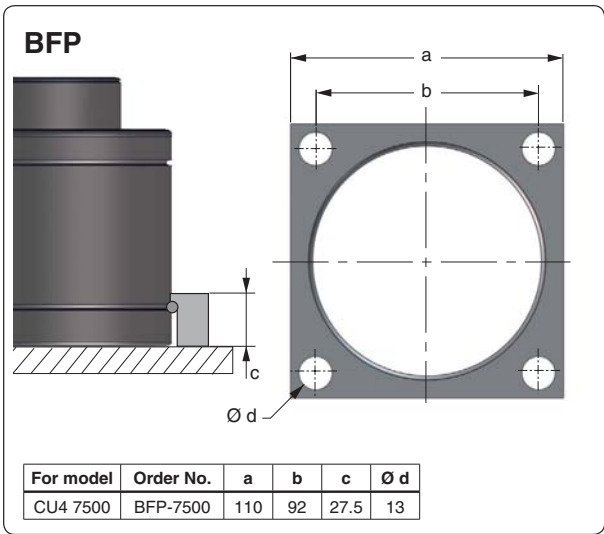
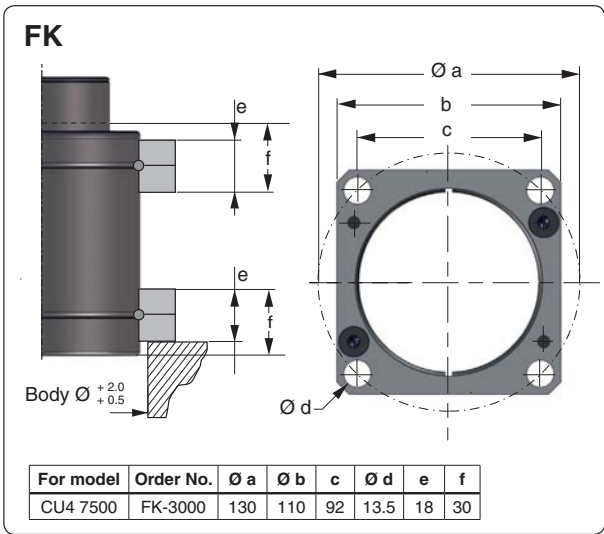
CU4 2900 Mounts



CU4 4700 Mounts

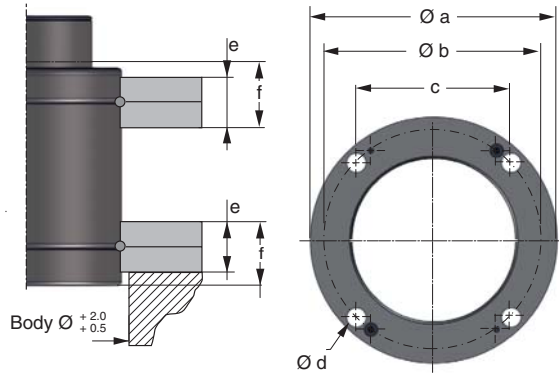


CU4 7500 Mounts



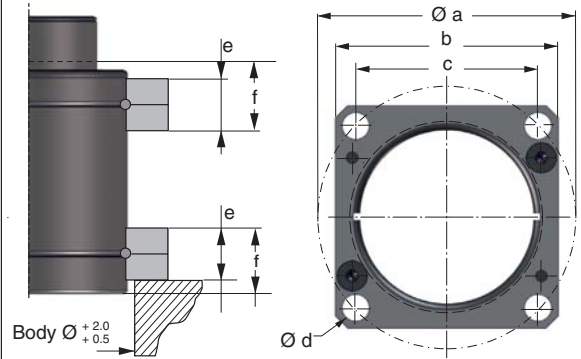
CU4 11800 Mounts

FC



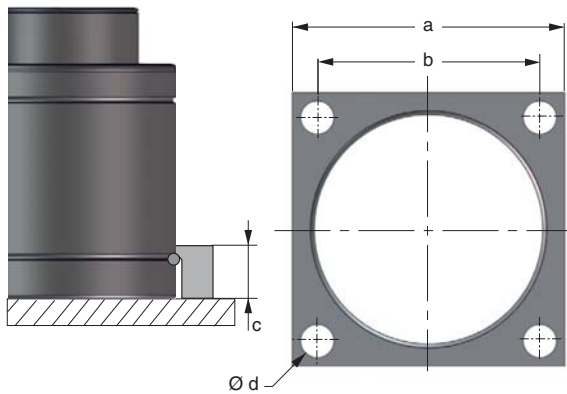
For model	Order No.	$\varnothing a$	$\varnothing b$	c	$\varnothing d$	e	f
CU4 11800	FC-5000	175	155	109.5	13.5	21	33

FCS



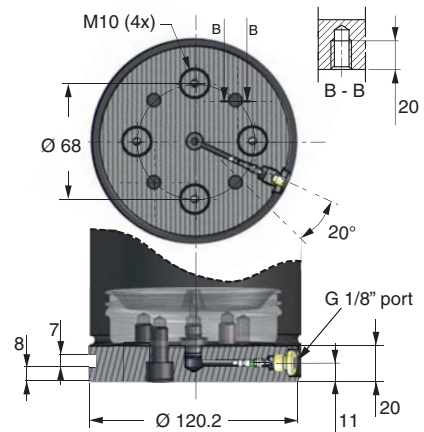
For model	Order No.	$\varnothing a$	b	c	$\varnothing d$	e	f
CU4 11800	FCS-5000	155	130	109.5	13.5	21	33

BFCU



For model	Order No.	a	b	$\varnothing c$	d
CU4 11800	BFCU-11800	130	109.5	29.5	13

SP



For model	Order No.	For U-groove mounts on SP
CU4 11800	SP-11800	Refer to TU 5000

CU4 18300 Mounts

FC

For model	Order No.	Ø a	Ø b	c	Ø d	e	f
CU4 18300	FC-7500	220	195	138	17.5	27	38

FCS

For model	Order No.	Ø a	b	c	Ø d	e	f
CU4 18300	FCS-7500	195	162	138	17.5	27	38

BFCU

For model	Order No.	a	b	Ø c	d
CU4 18300	BFCU-18300	162	138	34.5	17.5

SP

For model	Order No.	For U-groove mounts on SP
CU4 18300	SP-18300	Refer to TU 7500