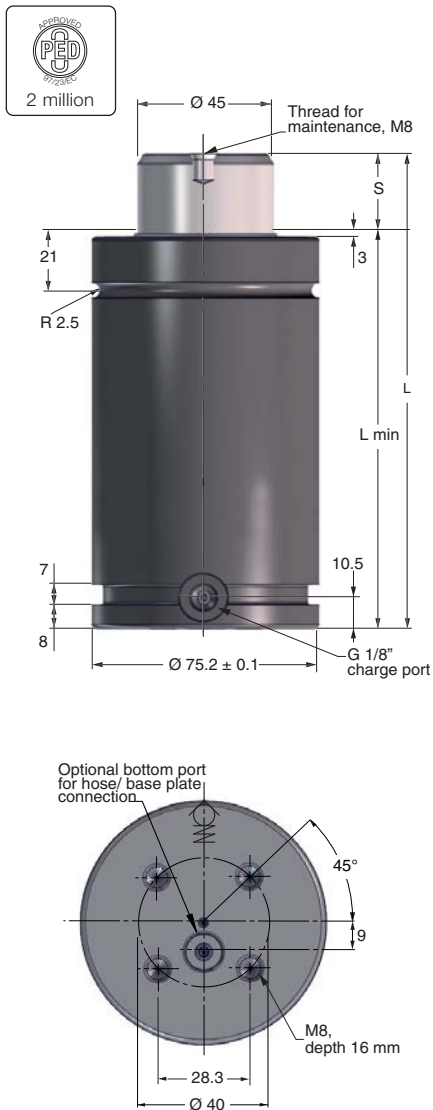


TX 2400



The Power Line – Heavy Duty series is a crossover between the standard TU Series and the Power Line X Series.

These gas springs are available with forces from 9,200 N up to 95,000 N and stroke lengths between 13 and 300 mm.

There is an optional bottom port for hose/base plate connection.

An upper C-groove, lower U-groove and bottom threaded holes allow various mounting possibilities using our standard mounts.

Order No.	S stroke	Force in N at 150 bar/+20°C		Force in lbf at 150 bar/+20°C		L ±0.25	L min.	Gas vol. (l)	Weight (kg)
		Initial	End force*	Initial	End force*				
TX 2400-025	** 25	24,000	37,100	5,400	8,350	160	135	0.23	3.1
TX 2400-038	** 38		37,600		8,450	186	148	0.28	3.31
TX 2400-050	** 50		37,900		8,525	210	160	0.33	3.5
TX 2400-063	** 63		38,100		8,575	236	173	0.38	3.7
TX 2400-075	** 75		38,300		8,625	260	185	0.43	3.89
TX 2400-080	** 80		38,300		8,625	270	190	0.45	3.97
TX 2400-100	** 100		38,500		8,650	310	210	0.53	4.29
TX 2400-125	** 125		38,700		8,700	360	235	0.63	4.68
TX 2400-150	** 150		38,800		8,725	410	260	0.73	5.07
TX 2400-160	** 160		38,800		8,725	430	270	0.77	5.23
TX 2400-175	** 175		38,900		8,750	460	285	0.83	5.47
TX 2400-200	** 200		38,900		8,750	510	310	0.93	5.86
TX 2400-250	** 250		39,000		8,775	610	360	1.17	6.65
TX 2400-300	** 300		39,100		8,800	710	410	1.33	7.44

* = at full stroke

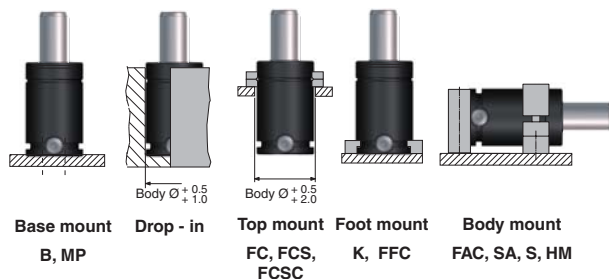
** Recommended stroke length for optimal delivery

Basic Information

For general information see "About gas springs", 2.1
 Pressure medium Nitrogen
 Max. charging pressure 150 bar (at 20°C)
 Min. charging pressure 25 bar (at 20°C)
 Operating temperature 0 to +80°C
 Force increase by temperature ±0.3%/°C
 Recommended max strokes/min ... ~ 40 to 100 (at 20°C)
 Max piston rod velocity 1.6 m/s

Rod surface Nitrided
 Tube surface Black oxide
 Repair kit 3022952

Mounting Possibilities



Note! For dimensions on mounting possibilities K-1500, FAC-1500, SA-1500, FCSC-1500 and HM-1500 refer to Chapter 3.