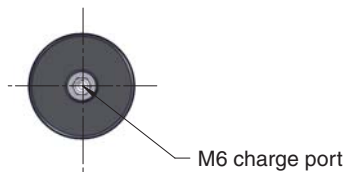
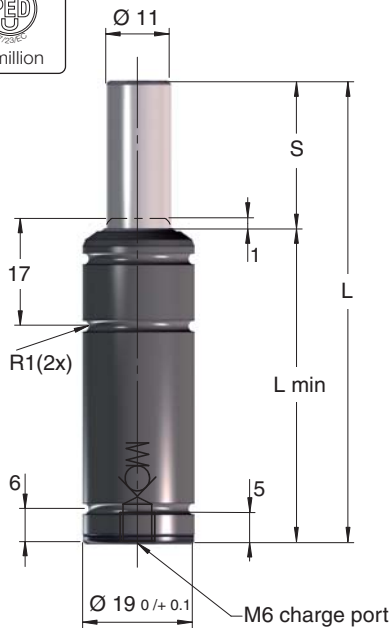


X 170



The Power Line Series includes our shortest and most powerful Piston Rod Sealed gas springs, offering impressive force in a very compact format.

The Power Line springs are available with forces from 1,700 N up to 200,000 N and stroke lengths between 7 and 125 mm.

The X 170 has a bottom port for gas charging that can also be used to connect to a gas link system.

The X 170 has an upper ISO Standard C-groove and a lower C-groove, which together with a threaded bottom hole offer various mounting possibilities using our standard mounts.

Order No.	S stroke	Force in N at 180 bar/+20°C		Force in lbf at 180 bar/+20°C		L ±0.25	L min	Gas vol. (l)	Weight (kg)
		Initial	End force*	Initial	End force*				
X 170-007	7					44	37	0.002	0.06
X 170-010	** 10					50	40	0.002	0.06
X 170-015	** 15					60	45	0.004	0.07
X 170-019	19					68	49	0.005	0.07
X 170-025	** 25					80	55	0.006	0.08
X 170-038	** 38	1,700	2,800	382	630	106	68	0.009	0.09
X 170-050	** 50					130	80	0.012	0.10
X 170-063	** 63					156	93	0.015	0.12
X 170-075	75					185	110	0.018	0.14
X 170-080	** 80					195	115	0.019	0.14
X 170-100	** 100					235	135	0.024	0.16
X 170-125	** 125					285	160	0.030	0.19

* = at full stroke

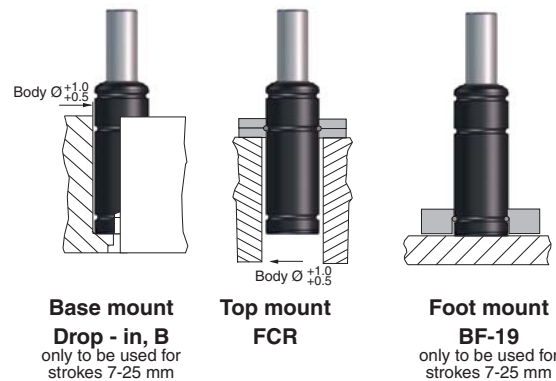
** Recommended stroke length for optimal delivery

Basic Information

For general information see "About gas springs", 2.1
 Pressure medium Nitrogen
 Max. charging pressure 180 bar (at 20° C)
 Min. charging pressure 25 bar (at 20° C)
 Operating temperature 0 to +80°C
 Force increase by temperature ±0.3%/°C
 Recommended max strokes/min ... ~ 40-100 (at 20°C)
 Max piston rod velocity 1.6 m/s

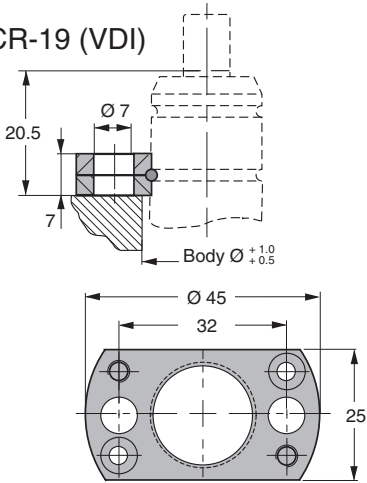
Rod surface Nitrided
 Tube surface Black oxide
 Repair kit Non-repairable

Mounting Possibilities

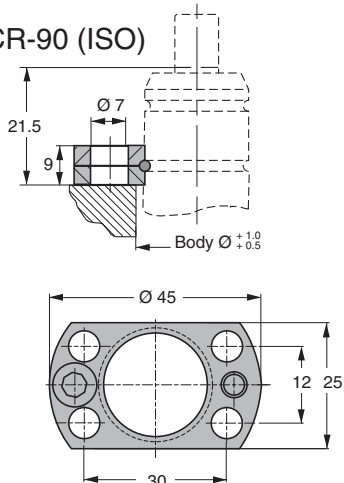


X 170 Mounts

FCR-19
Order No: FCR-19 (VDI)



FCR-90
Order No: FCR-90 (ISO)



BF-19
Order No: BF-19

