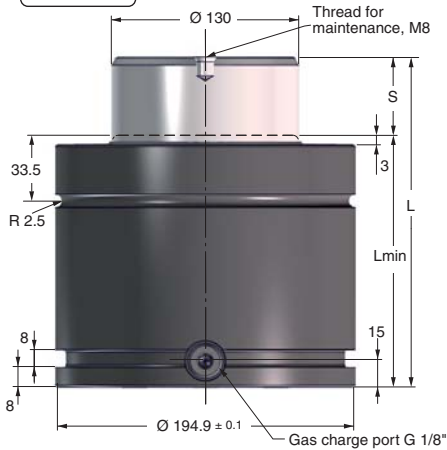


X 20000

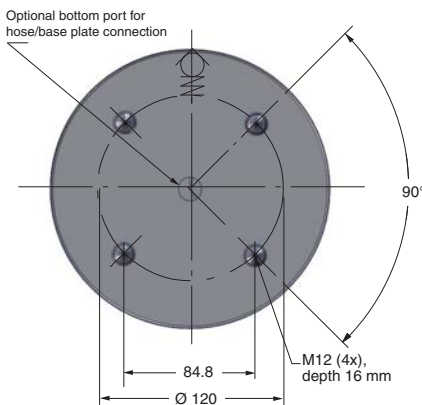


The Power Line Series includes our shortest and most powerful Piston Rod Sealed gas springs, offering impressive force in a very compact format.

These gas springs are available with forces from 1,700 N up to 200,000 N and stroke lengths between 7 and 125 mm.

There is a side port for gas charging that can also be used to connect to a hose system.

An upper C-groove, lower U-groove together with four M12 threaded holes allow various mounting possibilities using our standard mounts.



Order No.	S stroke	Force in N at 150 bar/+20°C		Force in lbf at 150 bar/+20°C		L ±0.25	L min.	Gas vol. (l)	Weight (kg)
		Initial	End force*	Initial	End force*				
X 20000-019	19		259,000		58,200	148	129	1.21	21.50
X 20000-025	** 25		270,000		60,750	160	135	1.38	22.16
X 20000-032	32		280,000		63,000	174	142	1.59	22.92
X 20000-038	38		287,000		64,600	186	148	1.77	23.57
X 20000-050	** 50		298,000		67,000	210	160	2.12	24.87
X 20000-063	** 63		307,000		69,100	236	173	2.50	26.28
X 20000-075	75		313,000		70,500	260	185	2.85	27.59
X 20000-080	** 80		315,000		70,900	270	190	3.00	28.13
X 20000-100	** 100		323,000		72,700	310	210	3.58	30.30
X 20000-125	** 125		330,000		74,250	360	235	4.31	33.02

* = at full stroke

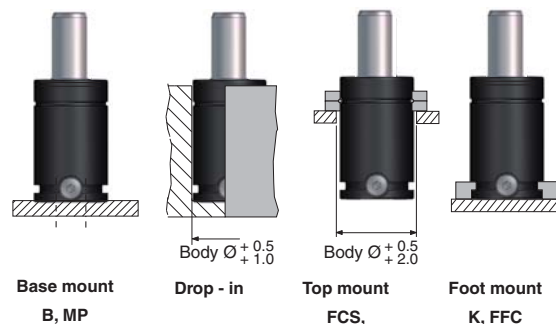
** Recommended stroke length for optimal delivery

Basic Information

For general information see "About gas springs", 2.1
 Pressure medium Nitrogen
 Max. charging pressure 150 bar (at 20°C)
 Min. charging pressure 25 bar (at 20°C)
 Operating temperature 0 to +80°C
 Force increase by temperature ±0.3%/°C
 Recommended max strokes/min ... ~ 15 to 40 (at 20°C)
 Max piston rod velocity 1.6 m/s

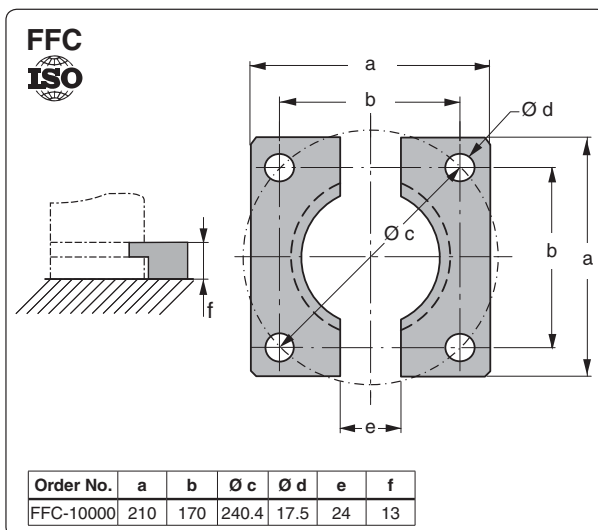
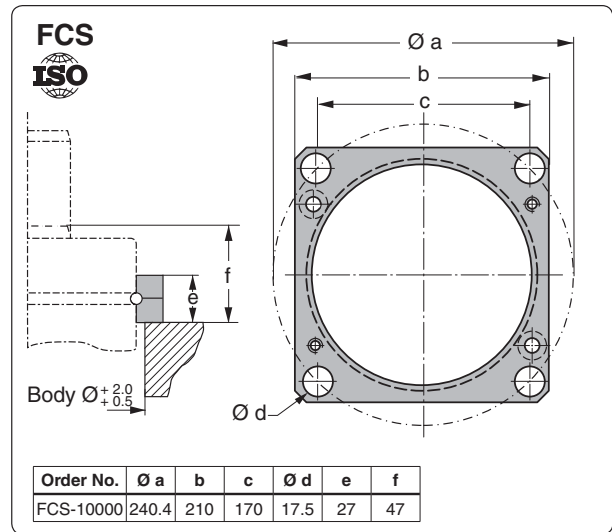
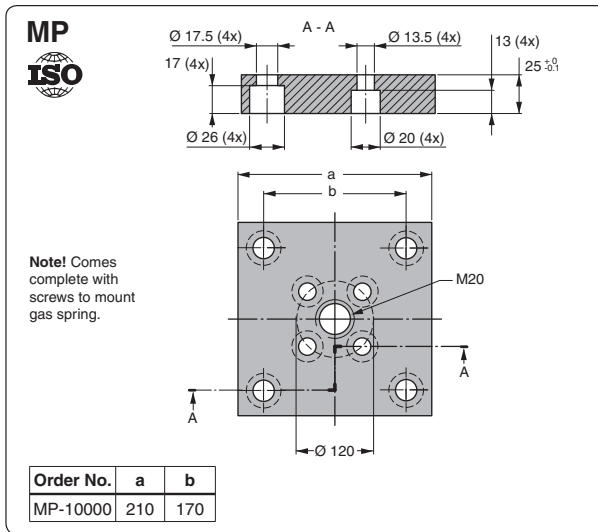
Rod surface Nitrided
 Tube surface Black oxide
 Repair kit 3022902

Mounting Possibilities



Note!

For dimensions on mounting possibility K-10000 refer to Chapter 3.



Note! For dimensions on mounting possibility K-10000 refer to Chapter 3.