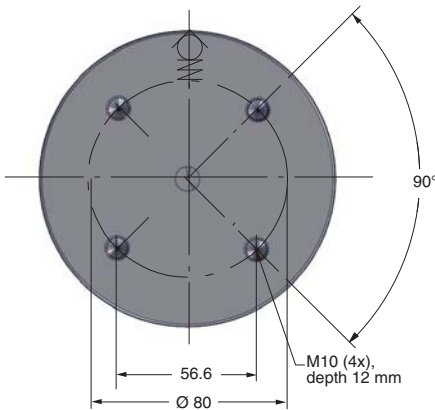
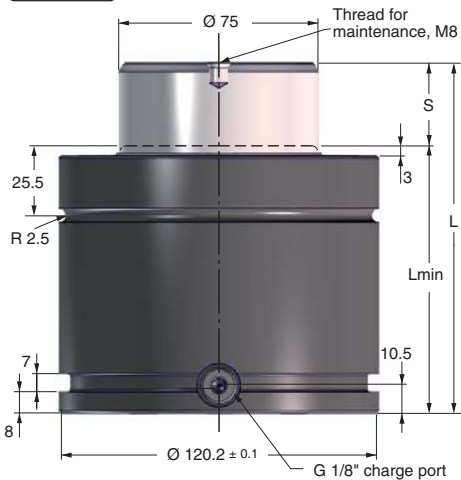


X 6600



The Power Line Series includes our shortest and most powerful Piston Rod Sealed gas springs, offering impressive force in a very compact format.

These gas springs are available with forces from 1,700 N up to 200,000 N and stroke lengths between 7 and 125 mm.

There is a side port for gas charging that can also be used to connect to a hose system.

An upper C-groove, lower U-groove together with four M10 threaded holes allow various mounting possibilities using our standard mounts.

Order No.	S stroke	Force in N at 150 bar/+20°C		Force in lbf at 150 bar/+20°C		L ±0.25	L min.	Gas vol. (l)	Weight (kg)
		Initial	End force*	Initial	End force*				
X 6600-016	** 16		89,000		20,010	100	84	0.32	5.00
X 6600-019	19		91,000		20,460	106	87	0.35	5.11
X 6600-025	** 25		93,900		21,110	118	93	0.42	5.34
X 6600-032	32		96,100		21,605	132	100	0.49	5.61
X 6600-038	** 38		98,200		22,075	144	106	0.56	5.84
X 6600-050	** 50	66,300	10,0600	14,905	22,615	168	118	0.69	6.31
X 6600-063	** 63		10,2400		23,020	194	131	0.83	6.81
X 6600-075	75		10,3400		23,245	218	143	0.90	7.27
X 6600-080	** 80		10,4100		23,400	228	148	1.01	7.46
X 6600-100	** 100		10,5400		23,700	268	168	1.23	8.23
X 6600-125	** 125		10,6500		23,940	318	193	1.50	9.19

* = at full stroke

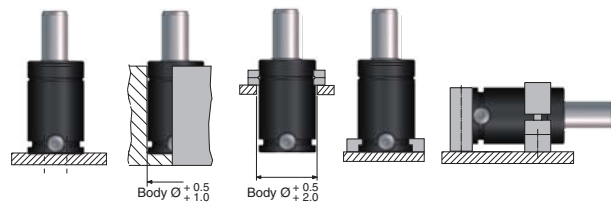
** Recommended stroke length for optimal delivery

Basic Information

For general information, see "About gas springs", 2.1
 Pressure medium..... Nitrogen
 Max. charging pressure..... 150 bar (at 20°C)
 Min. charging pressure..... 25 bar (at 20°C)
 Operating temperature..... 0 to +80°C
 Force increase by temperature ±0.3 %/°C
 Recommended max. strokes/min.... ≈ 30 to 100 (at 20°C)
 Max. piston rod velocity..... 1.6 m/s

Rod surface..... Nitrided
 Tube surface Black oxide
 Repair kit..... 3019912

Mounting Possibilities



Base mount B, MP
Drop - in
Top mount FC, FCS, FCSC
Foot mount K, FFC
Body mount FAC, SA, S

Note! For dimensions on mounting possibilities K-5000, and FCSC-5000 refer to Chapter 3.

X 6600 Mounts

MP
ISO

Note! Comes complete with screws to mount gas spring.

Order No.	a	b
MP-5000	140	109.5

FC
ISO

Order No.	Ø a	Ø b	c	Ø d	e	f
FC-5000	175	155	109.5	13.5	21	36

FCS
ISO

Order No.	Ø a	b	c	Ø d	e	f
FCS-5000	155	130	109.5	13.5	21	36

FFC
ISO

Order No.	a	b	Ø c	Ø d	e	f
FFC-5000	140	109.5	155	13.5	24	12

S
ISO

Note! Support S is designed to be used in combination with flanges mounted in the U or C groove or mounting option B.

The mounting screw (M12) should be tightened with torque 91 Nm.

Order No.	Ø a	b	c	d	e	f	g	Ø h	i	j
S-5000	120.4	27.5	77.5	74	220	195	12.5	13	30	20

Note! For dimensions on mounting possibilities K-5000, and FCSC-5000 refer to Chapter 3.