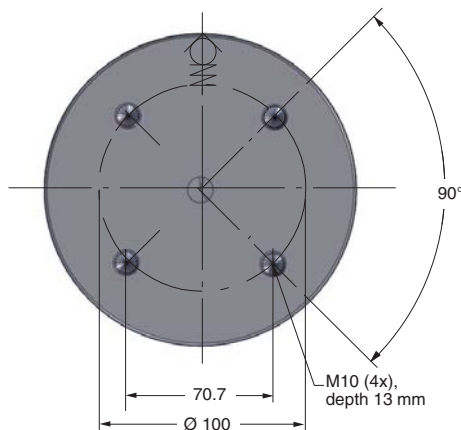
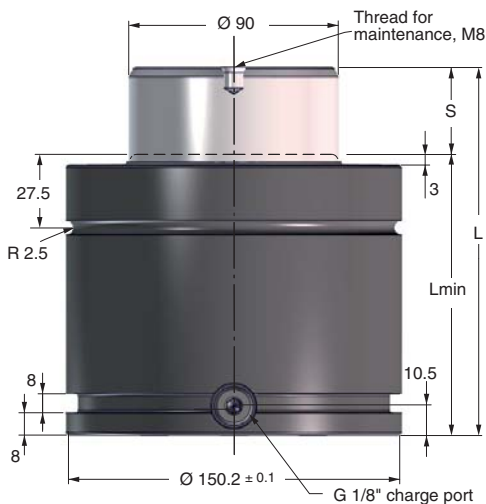


X 9500



The Power Line Series includes our shortest and most powerful Piston Rod Sealed gas springs, offering impressive force in a very compact format.

These gas springs are available with forces from 1,700 N up to 200,000 N and stroke lengths between 7 and 125 mm.

There is a side port for gas charging that can also be used to connect to a hose system.

An upper C-groove, lower U-groove together with four M10 threaded holes allow various mounting possibilities using our standard mounts.

Order No.	S stroke	Force in N at 150 bar/+20°C		Force in lbf at 150 bar/+20°C		L ±0.25	L min.	Gas vol. (l)	Weight (kg)
		Initial	End force*	Initial	End force*				
X 9500-019	19	95,000	135,000	21,400	30,370	116	97	0.49	9.86
X 9500-025	** 25		139,000		31,270	128	103	0.58	10.23
X 9500-032	32		142,000		31,945	142	110	0.70	10.67
X 9500-038	** 38		143,000		32,170	154	116	0.80	11.04
X 9500-050	** 50		146,000		32,845	178	128	0.99	11.79
X 9500-063	** 63		148,000		33,295	204	141	1.20	12.60
X 9500-075	** 75		149,000		33,520	228	153	1.39	13.35
X 9500-080	** 80		150,000		33,745	238	158	1.47	13.66
X 9500-100	** 100		151,000		33,970	278	178	1.79	14.91
X 9500-125	** 125		152,000		34,195	328	203	2.20	16.47

* = at full stroke

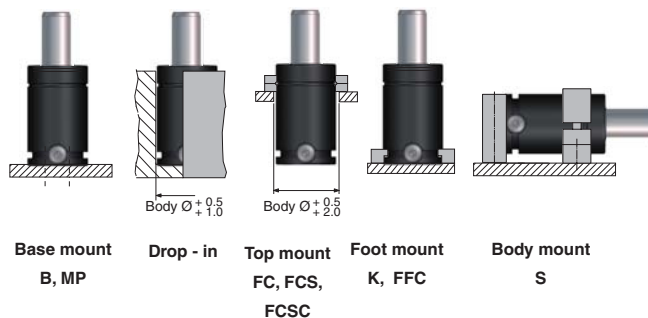
** Recommended stroke length for optimal delivery

Basic Information

For general information see "About gas springs", 2.1
 Pressure medium Nitrogen
 Max. charging pressure 150 bar (at 20°C)
 Min. charging pressure 25 bar (at 20°C)
 Operating temperature 0 to +80°C
 Force increase by temperature ±0.3%/°C
 Recommended max strokes/min ... ~ 30 to 100 (at 20°C)
 Max piston rod velocity 1.6 m/s

Rod surface Nitrided
 Tube surface Black oxide
 Repair kit 3020614

Mounting Possibilities



Note! For dimensions on mounting possibilities K-7500 and FCSC-7500 refer to Chapter 3.

X 9500 Mounts

MP
ISO

Note! Comes complete with screws to mount gas spring.

Order No.	a	b
MP-7500	190	138

FC
ISO

Order No.	Ø a	Ø b	c	Ø d	e	f
FC-7500	220	195	138	17.5	27	41

FCS
ISO

Order No.	Ø a	b	c	Ø d	e	f
FCS-7500	195	162	138	17.5	27	41

FFC
ISO

Order No.	a	b	Ø c	Ø d	e	f
FFC-7500	190	138	195.2	17.5	24	12

S
ISO

Note! Support S is designed to be used in combination with flanges mounted in the U or C groove or mounting option B.

The mounting screw (M12) should be tightened with torque 91 Nm.

Order No.	Ø a	b	c	d	e	f	g	Ø h	i	j
S-7500	150.4	30	95	100	260	230	15	13	30	20

Note! For dimensions on mounting possibilities K-7500 and FCSC-7500 refer to Chapter 3.